



AC/DC POWER PRODUCTS

POWER CONVERTERS AND BATTERY CHARGERS

DUAL-STATE
LINE / LOAD CONTROL
SWITCH-MODE

• **DLS** SERIES

• **DLS-X** SERIES

• **IQ** CHARGE CONTROLLERS





THE AC/DC POWER SOLUTION OF CHOICE

IOTA's DLS and DLS-X Series Battery Chargers and Power Converters provide reliable AC/DC power conversion for a variety of application needs. IOTA Power Products are essentially two units combined: a versatile charger for 12-volt to 24-volt battery banks as well as a reliable AC/DC converter for low voltage loads. With a record of proven performance throughout several industries, IOTA Power Products are the AC/DC power solution of choice for a number of professional and recreational users.

DLS

- DUAL STATE BATTERY CHARGING**

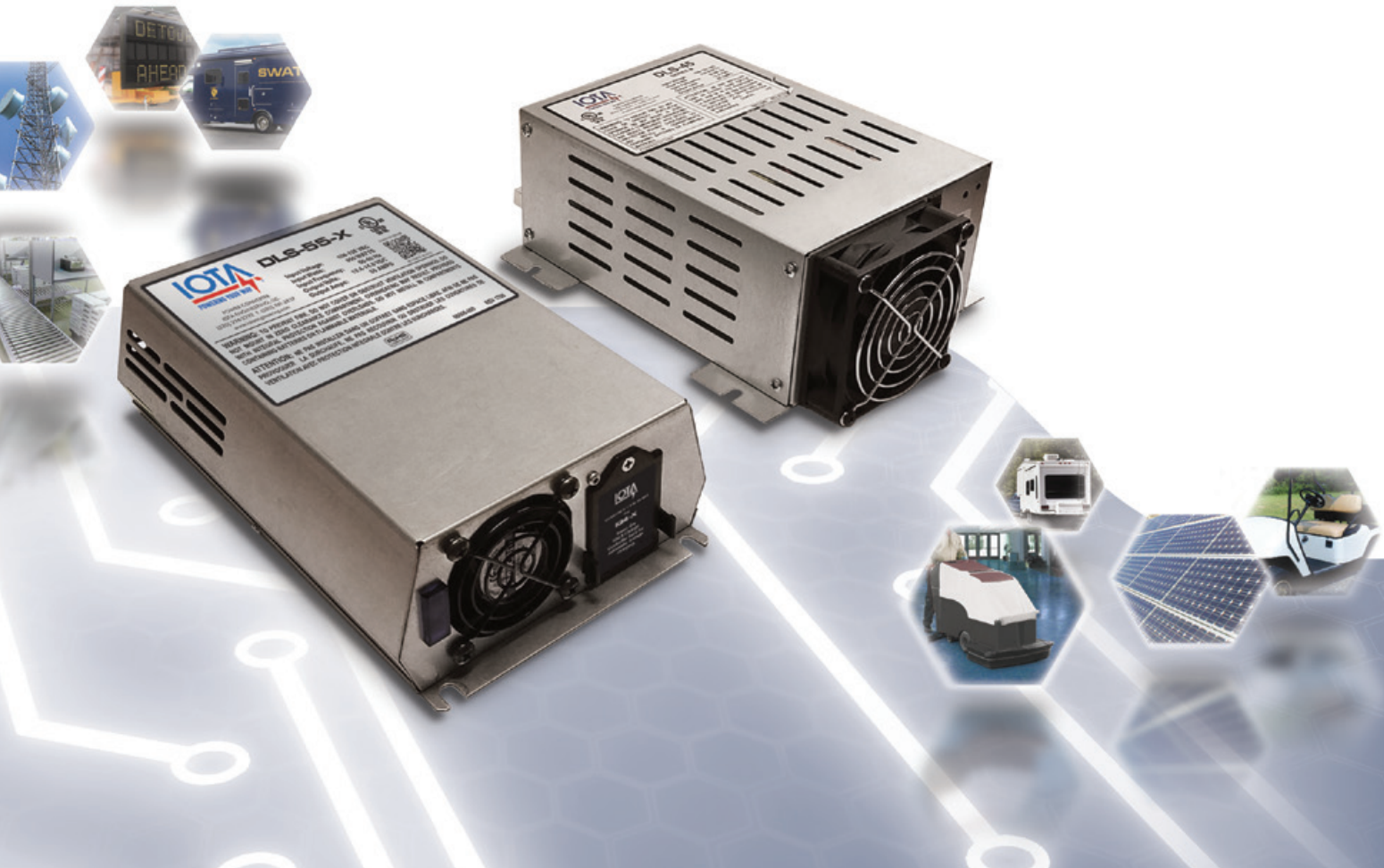
IOTA's Dual-State Charging design allows the unit to function as both a constant voltage or a constant current charger and automatically selects the optimal charging method for your battery's needs, resulting in safer, faster, and more efficient charging.

- LINE / LOAD CONTROLLED POWER CONVERSION**

The tight line/load control of the DLS allows for clean conversion of AC voltage into steady and reliable DC power for your battery or load. By preventing erratic DC output, the DLS Series allows confident operation of onboard and sensitive equipment for optimal life and avoiding unexpected overloads.

- SWITCH-MODE TECHNOLOGY**

IOTA charger/converters use state-of-the-art switch-mode technology, which minimizes wasted power by significantly reducing high dissipation states. The switch-mode design allows for reliable, efficient performance in a compact chassis with lower operating temperature.



TWO OPTIONS FOR YOUR BATTERY CHARGING AND POWER CONVERSION NEEDS...

DLS SERIES

Our popular DLS line is known for confident charging/conversion and includes these features...

DUAL VOLTAGE JACK

The IOTA DLS features the manual two-stage charging jack for selecting between absorption and float charge levels. Also allows for simple peripheral installation of IOTA's IQ4 smart-charge controller.

4-GAUGE TERMINAL

Terminal block connections accept wire gauges up to 4AWG.

2-YEAR WARRANTY

Covered under IOTA's standard 2-Year Warranty.



DLS-X SERIES

The DLS-X Series delivers exceptional performance combined with these added design features...

COMPACT HEIGHT

The minimal profile design of the DLS-X allows for simpler installation in applications with limited compartment space.

INTERNALIZED COOLING FAN

The internal fan design allows for convenient access to mounting holes and utilizes proportional fan control for quiet operation.

AC POWER INDICATOR

The blue AC Power Indicator illuminates when AC power is present, letting you know your DLS-X is receiving power and ready to charge.



CHARGE CONTROL DOCK

The DLS-X Accessory Port allows for simple, snap-in installation of the IQ4-X smart-charge control module. The IQ4-X optimizes battery life and performance with automatic Bulk, Absorption, Float, and Equalization charging.

INCREASED TERMINAL SIZE

The DLS-X features larger terminal block connections UL-rated for wire gauges up to 2AWG.

VENT-FREE TOP SURFACE

Superior venting maximizes air flow cooling while minimizing intrusion of dust and debris.

EASIER HANDLING

Recessed design for easier handling of the converter when re-locating for 'shop' applications.

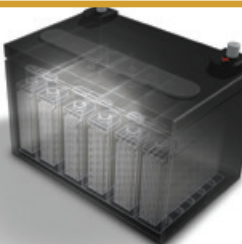
3-YEAR WARRANTY

The DLS-X Series is covered under IOTA's extended 3-Year Warranty.

VOLTAGE/ AMPERAGE CROSS-REFERENCE

IOTA offers a wide range of charger/converter models to match your voltage and amperage specifications. Use the cross-reference to easily select the model that's right for your application. Features and ratings will vary depending on the model.

INPUT VOLTAGE			
	120Vac (108-132Vac)	240Vac (216-264Vac)	
OUTPUT VOLTAGE	12Vdc	<ul style="list-style-type: none"> • 15 Amp (DLS-15 and DLS-15-X) • 30 Amp (DLS-30 and DLS-30-X) • 45 Amp (DLS-45 and DLS-45-X) • 55 Amp (DLS-55 and DLS-55-X) • 75 Amp (DLS-75 and DLS-75-X) • 90 Amp (DLS-90 and DLS-90-X) 	<ul style="list-style-type: none"> • 30 Amp (DLS-240-30) • 45 Amp (DLS-240-45) • 55 Amp (DLS-240-55)
	24Vdc	<ul style="list-style-type: none"> • 15 Amp (DLS-27-15 and DLS-27-15-X) • 25 Amp (DLS-27-25 and DLS-27-25-X) • 40 Amp (DLS-27-40 and DLS-27-40-X) 	<ul style="list-style-type: none"> • 25 Amp (DLS-240-27-25) • 40 Amp (DLS-240-27-40)
	48Vdc	<ul style="list-style-type: none"> • 20 Amp (DLS-48-20 for power conversion only) • 13 Amp (DLS-54-13 for conversion/charging) 	



SOLUTIONS FOR MOST 12-VOLT BATTERY TECHNOLOGIES

The DLS and DLS-X Series are compatible with Deep-Cycle, VRLA, Gel, AGM, Flooded Lead-Acid, and Select NiFe and Lithium Battery Types. Some battery technologies require proper battery management systems and may require a specific smart charging control profile for optimal performance. Contact our Technical Services Team for the right IOTA charging solution for your application.

DLS AND DLS-X SERIES

CONVERTS **120VAC** TO **12VDC**



DLS MODELS

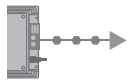
12-VOLT

DLS-15	15 Amp
DLS-30	30 Amp
DLS-45	45 Amp
DLS-55	55 Amp
DLS-75	75 Amp
DLS-90	90 Amp



DLS Models are covered under IOTA's standard 2-Year Warranty.

IOTA DESIGN ADVANTAGES



CLEAN, STEADY DC OUTPUT operates your loads the way they were intended, avoiding potential damage to systems from errant DC voltage.



INPUT PROTECTION DESIGN guards the unit against erratic line voltage that can occur from shore power or generator supplies.



REVERSE POLARITY PROTECTION shields the unit against damage from incorrect battery hook-up and uses standard automobile blade-type fuses for easy replacement.



PROPORTIONAL FAN CONTROL operates the fan at speeds directly proportional to unit temperature, eliminating sudden start up noise and providing whisper-quiet operation.



EFFICIENT THERMAL DESIGN with lower overall operating temperature reduces stress on internal components and circuitry for longer life.



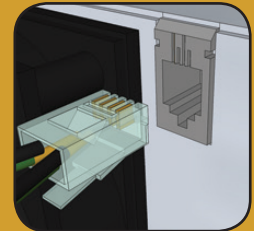
OPTIONAL SMART CHARGE CONTROL provides automatic four-stage charging for exceptional, faster charging and optimal battery life. See page 9 for details.



UL 458 LISTED for United States and Canada on most models.

DLS SERIES

Widely popular for their reliable, robust performance, IOTA DLS chargers and converters feature a Dual Voltage Jack that allows manual switching between Normal and stepped-up Absorption voltages.



DLS-X SERIES

The DLS-X delivers the same exceptional AC/DC conversion as the DLS Series, but with these and other additional enhanced user features...



Accepts up to 2 Gauge wire



AC Power Indicator



Simplified removal of the Reverse Polarity Fuses





DLS-X MODELS

12-VOLT

DLS-15-X	15 Amp
DLS-30-X	30 Amp
DLS-45-X	45 Amp
DLS-55-X	55 Amp
DLS-75-X	75 Amp
DLS-90-X	90 Amp



DLS-X Models are covered under IOTA's extended 3-Year Warranty.

Refer to Page 10 for complete dimension and weight specifications per model.

RATINGS AND SPECIFICATIONS	DLS-15	DLS-30	DLS-45	DLS-55	DLS-75	DLS-90
	DLS-15-X	DLS-30-X	DLS-45-X	DLS-55-X	DLS-75-X	DLS-90-X
DC Output Voltage*	13.4 - 14.8	13.4 - 14.8	13.4 - 14.8	13.4 - 14.8	13.4 - 14.8	13.4 - 14.8
Output Voltage Tolerance (No Load)	+ or - .7%	+ or - .7%	+ or - .7%	+ or - .7%	+ or - .7%	+ or - .7%
Output Amperage, Max Continuous	15 Amps	30 Amps	45 Amps	55 Amps	75 Amps	90 Amps
Maximum Power Output, Continuous	200 Watts	400 Watts	600 Watts	750 Watts	1000 Watts	1200 Watts
Ripple and Noise	<50 mV rms	<50 mV rms	<50 mV rms	<50 mV rms	<100 mV rms (DLS) <50 mV rms (DLS-X)	<150 mV rms (DLS) <50 mV rms (DLS-X)
Input Voltage Range	108 - 132 VAC	108 - 132 VAC	108 - 132 VAC	108 - 132 VAC	108 - 132 VAC	108 - 132 VAC
Input Voltage Frequency	47-63	47-63	47-63	47-63	47-63	47-63
Input Wattage (Full Load)	250	500	750	950	1300	1500 (DLS) / 1560 (DLS-X)
Maximum AC Current (@108Vac)	3.7 Amps	7.3 Amps	11 Amps	13.4 Amps	18.2 Amps	21.8 Amps [†]
Typical Efficiency	>80%	>80%	>80%	>80%	>80%	>80%
Max Inrush Current, Single Cycle	30 Amps	30 Amps	30 Amps	30 Amps	40 Amps	40 Amps
Short Circuit Protection	Yes	Yes	Yes	Yes	Yes	Yes
Overload Protection	>100%	>100%	>100%	>100%	>100%	>100%
Line Regulation	100 mV rms	100 mV rms	100 mV rms	100 mV rms	100 mV rms	100 mV rms
Load Regulation	<1%	<1%	<1.5%	<1.5%	<1.5%	<1.5%
Thermal Protection	YES	YES	YES	YES	YES	YES
Working Temperature Range	0° - 40° C	0° - 40° C	0° - 40° C	0° - 40° C	0° - 40° C	0° - 40° C
Storage Temperature	-20° to 80° C	-20° to 80° C	-20° to 80° C	-20° to 80° C	-20° to 80° C	-20° to 80° C
Withstand Voltage (Vdc)**	1700/1700/500	1700/1700/500	1700/1700/500	1700/1700/500	1700/1700/500	1700/1700/500
UL 458 Listing (DLS)	U.S. and Canada	U.S. and Canada	U.S. and Canada	U.S. and Canada	U.S. and Canada	n/a
UL 458 Listing (DLS-X)	U.S. and Canada	U.S. and Canada	U.S. and Canada	U.S. and Canada	U.S. and Canada	U.S. and Canada

*Voltage range capability when charger is equipped with optional smart charge controller. Nominal standard voltage is 13.4 to 13.6 Vdc.

**Primary to Chassis/Primary to Secondary/Secondary to Chassis

[†]Requires 30A breaker

DLS AND DLS-X SERIES

CONVERTS **120VAC** TO **24VDC**



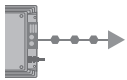
DLS MODELS 24-VOLT

DLS-27-15	15 Amp
DLS-27-25	25 Amp
DLS-27-40	40 Amp



DLS Models are covered under IOTA's standard 2-Year Warranty.

IOTA DESIGN ADVANTAGES



CLEAN, STEADY DC OUTPUT operates your loads the way they were intended, avoiding potential damage to systems from errant DC voltage.



INPUT PROTECTION DESIGN guards the unit against erratic line voltage that can occur from shore power or generator supplies.



REVERSE POLARITY PROTECTION shields the unit against damage from incorrect battery hook-up and uses standard automobile blade-type fuses for easy replacement



PROPORTIONAL FAN CONTROL operates the fan at speeds directly proportional to unit temperature, eliminating sudden start up noise and providing whisper-quiet operation.



EFFICIENT THERMAL DESIGN with lower overall operating temperature reduces stress on internal components and circuitry for longer life.



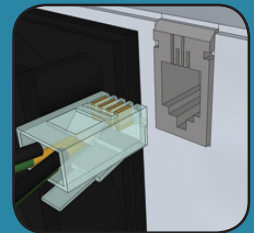
OPTIONAL SMART CHARGE CONTROL provides automatic four-stage charging for exceptional, faster charging and optimal battery life. See page 9 for details.



UL 458 LISTED for United States and Canada on most models.

DLS SERIES

Widely popular for their reliable, robust performance, IOTA DLS chargers and converters feature a Dual Voltage Jack that allows manual switching between Normal and stepped-up Absorption voltages.



DLS-X SERIES

The DLS-X delivers the same exceptional AC/DC conversion as the DLS Series, but with these and other additional enhanced user features...



Accepts up to 2 Gauge wire



AC Power Indicator



Simplified removal of the Reverse Polarity Fuses





DLS-X MODELS 24-VOLT

DLS-27-15-X	15 Amp
DLS-27-25-X	25 Amp
DLS-27-40-X	40 Amp



DLS-X Models are covered under IOTA's extended 3-Year Warranty.

Refer to Page 10 for complete dimension and weight specifications per model.

RATINGS AND SPECIFICATIONS	DLS-27-15	DLS-27-25	DLS-27-40	DLS-27-15-X	DLS-27-25-X	DLS-27-40-X
DC Output Voltage*	26.8 - 29.6	26.8 - 29.6	26.8 - 29.6	26.8 - 29.6	26.8 - 29.6	26.8 - 29.6
Output Voltage Tolerance (No Load)	+ or - .5%	+ or - .5%	+ or - .5%	+ or - .5%	+ or - .5%	+ or - .5%
Output Amperage, Max Continuous	15 Amps	25 Amps	40 Amps	15 Amps	25 Amps	40 Amps
Maximum Power Output, Continuous	400 Watts	675 Watts	1100 Watts	450 Watts	750 Watts	1200 Watts
Ripple and Noise	<100 mV rms	<100 mV rms	<100 mV rms	<50 mV rms	<100 mV rms	<100 mV rms
Input Voltage Range	108 - 132 VAC	108 - 132 VAC	108 - 132 VAC	108 - 132 VAC	108 - 132 VAC	108 - 132 VAC
Input Voltage Frequency	47-63	47-63	47-63	47-63	47-63	47-63
Input Wattage (Full Load)	500	950	1360	500	825	1360
Maximum AC Current (@108Vac)	7.3 Amps	12.2 Amps	19.5 Amps	7.3 Amps	12.2 Amps	19.5 Amps
Typical Efficiency	>80%	>80%	>80%	>80%	>80%	>80%
Max Inrush Current, Single Cycle	30 Amps	30 Amps	40 Amps	30 Amps	30 Amps	40 Amps
Short Circuit Protection	Yes	Yes	Yes	Yes	Yes	Yes
Overload Protection	>100%	>100%	>100%	>100%	>100%	>100%
Line Regulation	100 mV rms	100 mV rms	100 mV rms	100 mV rms	100 mV rms	100 mV rms
Load Regulation	<1%	<1%	<1%	<1%	<1%	<1%
Thermal Protection	YES	YES	YES	YES	YES	YES
Working Temperature Range	0° - 40° C	0° - 40° C	0° - 40° C	0° - 40° C	0° - 40° C	0° - 40° C
Storage Temperature	-20° to 80° C	-20° to 80° C	-20° to 80° C	-20° to 80° C	-20° to 80° C	-20° to 80° C
Withstand Voltage (Vdc)**	1700/1700/500	1700/1700/500	1700/1700/500	1700/1700/500	1700/1700/500	1700/1700/500
UL 458 Listing (DLS)	U.S. and Canada	U.S. and Canada	U.S. and Canada	U.S. and Canada	U.S. and Canada	U.S. and Canada

*Voltage range capability when charger is equipped with optional smart charge controller. Nominal standard voltage is 27.2 Vdc.

**Primary to Chassis/Primary to Secondary/Secondary to Chassis

DLS 48-VOLT

CONVERTS **120VAC** TO **48VDC**



DLS-48-20 Power Supply

The DLS-48-20 is designed to serve as a 48Vdc power converter only, providing clean, steady 20A service to your 48Vdc equipment.



DLS-54-13 Battery Charger

The DLS-54-13 provides the increased 54Vdc output needed to charge a 48-volt battery bank at 13-amps.

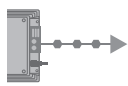
DLS MODELS 48-VOLT

DLS-48-20	20 Amp
DLS-54-13	13 Amp



DLS Models are covered under IOTA's standard 2-Year Warranty.

IOTA DESIGN ADVANTAGES



CLEAN, STEADY DC OUTPUT operates your loads the way they were intended, avoiding potential damage to systems from errant DC voltage.



INPUT PROTECTION DESIGN guards the unit against erratic line voltage that can occur from shore power or generator supplies.



REVERSE POLARITY PROTECTION shields the unit against damage from incorrect battery hook-up and uses standard automobile blade-type fuses for easy replacement



PROPORTIONAL FAN CONTROL operates the fan at speeds directly proportional to unit temperature, eliminating sudden start up noise and providing whisper-quiet operation.



EFFICIENT THERMAL DESIGN with lower overall operating temperature reduces stress on internal components and circuitry for longer life.



OPTIONAL SMART CHARGE CONTROL provides automatic four-stage charging for exceptional, faster charging and optimal battery life. See page 9 for details.

RATINGS AND SPECIFICATIONS	DLS-48-20	DLS-54-13
DC Output Voltage	48V	54.4 - 59.2*
Output Voltage Tolerance (No Load)	+ or - .5%	+ or - .5%
Output Amperage, Max Cont.	20 Amps	13 Amps
Maximum Power Output, Cont.	950 Watts	700 Watts
Ripple and Noise	<100 mV rms	<100 mV rms
Input Voltage Range	108 - 132 VAC	108 - 132 VAC
Input Voltage Frequency	47-63	47-63
Input Wattage (Full Load)	1200	900
Maximum AC Current (@108Vac)	17.1 Amps	12.6 Amps
Typical Efficiency	>80%	>80%
Max Inrush Current, Single Cycle	40 Amps	30 Amps
Short Circuit Protection	Yes	Yes
Overload Protection	>100%	>100%
Line Regulation	100 mV rms	100 mV rms
Load Regulation	<1%	<1%
Thermal Protection	YES	YES
Working Temperature Range	0° - 40° C	0° - 40° C
Storage Temperature	-20° to 80° C	-20° to 80° C
Withstand Voltage (Vdc)**	1700/1700/500	1700/1700/500
UL 458 Listing	n/a	n/a

UL 458 applies to equipment up to 24Vdc. IOTA 48V models are engineered to the same standards as other DLS units but fall outside the scope of UL 458.

CONVERTS **240VAC** **TO** **12VDC**
OR **24VDC**



DLS MODELS 240 VAC

DLS-240-30	30 Amp
DLS-240-45	45 Amp
DLS-240-55	55 Amp
DLS-240-27-25	25 Amp
DLS-240-27-40	40 Amp



DLS Models are covered under IOTA's standard 2-Year Warranty.

RATINGS AND SPECIFICATIONS	DLS-240-30	DLS-240-45	DLS-240-55	DLS-240-27-25	DLS-240-27-40
DC Output Voltage*	13.4V - 14.8	13.4V - 14.8	13.4V - 14.8	26.8 - 29.6	26.8 - 29.6
Output Voltage Tolerance (No Load)	+ or - .7%	+ or - .7%	+ or - .7%	+ or - .7%	+ or - .7%
Output Amperage, Max Continuous	30 Amps	45 Amps	55 Amps	25 Amps	40 Amps
Maximum Power Output, Continuous	400 Watts	600 Watts	750 Watts	675 Watts	1100 Watts
Ripple and Noise	<50 mV rms	<50 mV rms	<50 mV rms	<100 mV rms	<100 mV rms
Input Voltage Range	216 - 264 VAC	216 - 264 VAC	216 - 264 VAC	216 - 264 VAC	216 - 264 VAC
Input Voltage Frequency	47-63	47-63	47-63	47-63	47-63
Input Wattage (Full Load)	500	750	950	950	1500
Maximum AC Current (@216Vac)	3.7 Amps	5.5 Amps	6.7 Amps	6.0 Amps	10.0 Amps
Typical Efficiency	>80%	>80%	>80%	>80%	>80%
Max Inrush Current, Single Cycle	30 Amps	30 Amps	30 Amps	30 Amps	40 Amps
Short Circuit Protection	Yes	Yes	Yes	Yes	Yes
Overload Protection	>100%	>100%	>100%	>100%	>100%
Line Regulation	100 mV rms	100 mV rms	100 mV rms	100 mV rms	100 mV rms
Load Regulation	<1%	<1%	<1%	<1%	<1%
Thermal Protection	YES	YES	YES	YES	YES
Working Temperature Range	0° - 40° C	0° - 40° C	0° - 40° C	0° - 40° C	0° - 40° C
Storage Temperature	-20° to 80° C	-20° to 80° C	-20° to 80° C	-20° to 80° C	-20° to 80° C
Withstand Voltage (Vdc)**	1700/1700/500	1700/1700/500	1700/1700/500	1700/1700/500	1700/1700/500
UL 458 Listing	U.S. and Canada	U.S. and Canada	U.S. and Canada	n/a	n/a

*Voltage range capability when charger is equipped with optional smart charge controller.

**Primary to Chassis/Primary to Secondary/Secondary to Chassis



Four-Stage Charge Control for Optimal Battery Performance

IOTA IQ4 and IQ4-X Charge Control Modules are the easiest, safest way to keep your batteries fully charged and in peak operating condition while maximizing useful life. By utilizing the IQ programming, IOTA chargers automatically deliver a four-stage charge cycle to your battery system. Whether you need frequently-cycled batteries charged quickly and efficiently, or are maintaining stored batteries in top condition, IQ charge control provides the assurance that your batteries will perform when you need them to.

1 BULK

Batteries are charged up to the full-rated output of the battery charger, reducing the time needed to charge the battery.

2 ABSORPTION

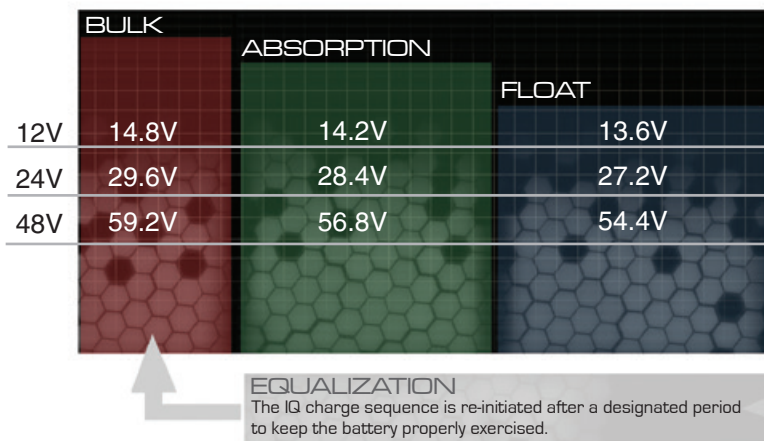
The voltage drops and the batteries are then held for a controlled period at the absorption phase to insure a full and complete charge.

3 FLOAT

The battery charger delivers a 'trickle' charge, maintaining the battery's full charge and avoiding "gassing" caused by over-charging.

4 EQUALIZATION

If the battery remains in the 'Float' state for seven days, the IQ4 delivers a Smart Charge cycle to dissolve sulfate layers and to avoid stratification.



IQ4 and IQ4-X Charge Controllers feature a green LED to help indicate charge voltage and charging phase of the smart charge controller.

LED CODE TABLE

CELL INDICATION		
6 Flashes	12-Volt Battery (6 cells)	
12 Flashes	24-Volt Battery (12 cells)	
24 Flashes	48-Volt Battery (24 cells)	
CHARGE PHASE	LED STATUS	VOLTAGE RATE
FLOAT	ON	2.266 per Cell
ABSORPTION	SLOW FLASHING	2.366 per Cell
BULK	RAPID FLASHING	2.466 per Cell

THE IQ4 For use with IOTA DLS Series Chargers



IOTA IQ4 Charge Controllers provide automatic 4-stage charging for DLS Series Chargers. The IQ4 easily installs as a peripheral device by plugging the 10-inch IQ4 connection cord into the Dual Voltage Jack of the DLS. DLS chargers can also be ordered with the IQ4 charge control circuitry installed within the unit (add "/>



Connects easily to the Dual Voltage Jack of the DLS Charger.

THE IQ4-X For use with IOTA DLS-X Series Chargers



IOTA IQ4-X Charge Controllers are designed specifically for converting DLS-X Series Chargers into four-stage smart-chargers. No peripheral cord is needed - the IQ4-X inserts directly into the Accessory Port of the DLS-X charger. Once the IQ4-X snaps into the docking port, the smart-charge controller initiates BULK mode charging of your battery load.

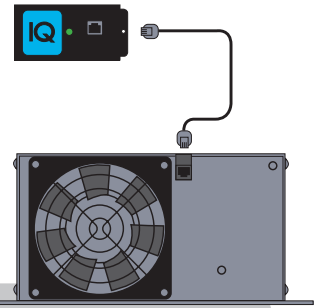


Docks directly onto the DLS-X Series Charger.



IQ SMART-CHARGING JUST GOT SMARTER!

- Automatic, adjusting charge control for your battery application!
- Compatible with any standard 15A to 90A DLS unit!
- Simply plugs into the DLS Dual Voltage Jack!



IQ4 - Great for Storing Your Flooded Lead-Acid Batteries

Our traditional IQ4 Smart Charge Controller delivers 4 basic charging functions: BULK, ABSORPTION, FLOAT, and a seven-day MAINTENANCE cycle. The IQ4 is an excellent way to maintain your stored flooded lead acid batteries, such as in an RV that is parked for extended periods of time. **54V** and **Parallel Charging** options also available.



IQ-TURBO - Rapid Charging for Continually-Cycled Batteries

The IQ-Turbo delivers a powerful yet controlled BULK charge to help charge batteries in minimal time. Perfect for batteries that are used frequently but have limited time for re-charging from a generator, solar panel system, or other auxiliary supply.



IQ-EQUALIZER - On-Demand Bulk Charging

The IQ-Equalizer is a useful charge control tool that initiates a constant current BULK charge to your flooded lead acid battery, ensuring that all cells receive an adequate, complete charge in an abbreviated timespan. After a predetermined period, the IQ-Equalizer drops into a trickle charge until re-inserted for additional equalization.



IQ-LIFEPO - for Lithium-Iron Batteries with BMS

The IQ-LIFEPO is tailored for use with today's state-of-the-art LiFePO4 batteries that use a Battery Management System. The IQ-LIFEPO allows the DLS to deliver proper voltage to charge the larger 4-cell design of the battery and remains in a stand-by trickle mode ready to deliver a fresh BULK charge when needed.



IQ-GEL - Confident Charging for Gel batteries

The IQ-GEL features an extended BULK stage but with a slightly decreased voltage that is just right for Gel lead-acid batteries. After a period of seven days, the IQ-GEL will initiate the standard Maintenance cycle to ensure the battery remains in peak charged status.



IQ-AGM - Tailored Absorption Charging for AGM batteries

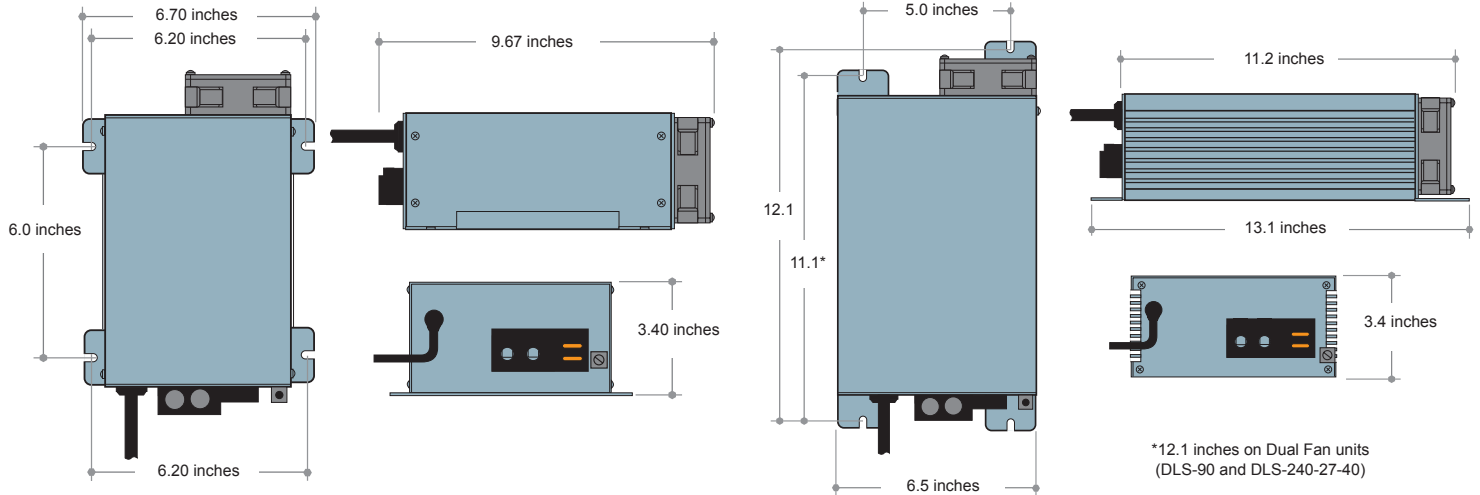
The IQ-AGM provides preferred charging for AGM (Absorbed Glass Matt) batteries by skipping the Bulk cycle and holding the battery at an optimized ABSORPTION stage before reverting to the FLOAT stage.



IQ-40-HOUR - Extended Bulk Charging for Larger Systems

For lead-acid battery banks with increased Amp-Hour ratings, the IQ-40-Hour delivers an extended Bulk charge duration to service the larger capacity before reverting to standard ABSORPTION, FLOAT, and MAINTENANCE modes.

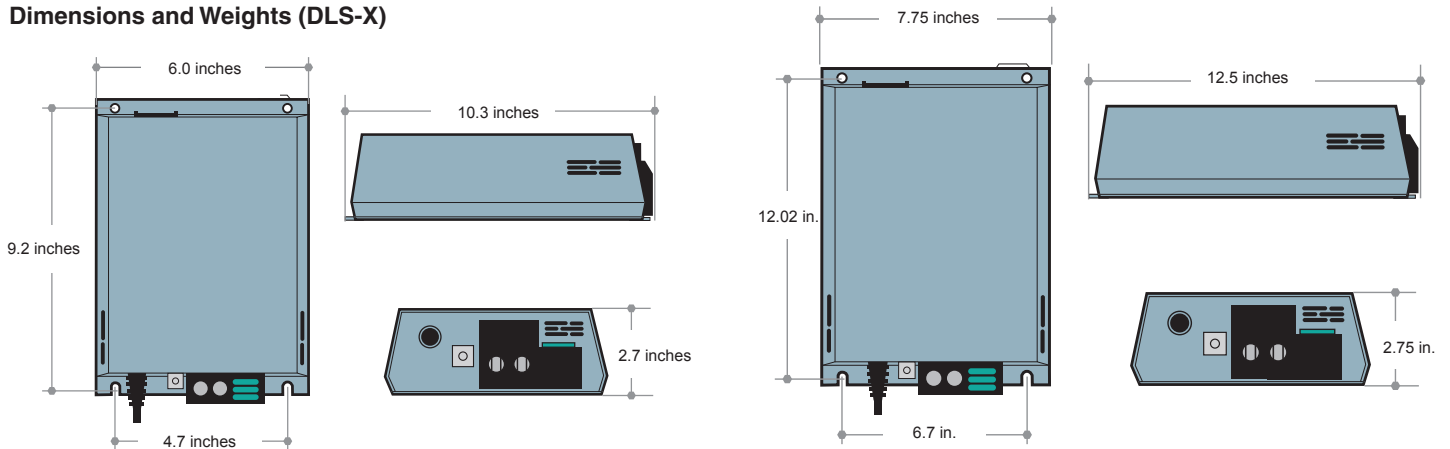
Dimensions and Weights (DLS)



DLS-15	4.5 lbs	DLS-27-15	4.5 lbs	DLS-240-30	5.0 lbs
DLS-30	4.5 lbs	DLS-27-25	5.0 lbs	DLS-240-45	5.0 lbs
DLS-45	5.0 lbs	DLS-54-13	5.0 lbs	DLS-240-55	5.0 lbs
DLS-55	5.0 lbs			DLS-240-27-25	5.0 lbs

DLS-75	7.8 lbs	DLS-27-40	7.8 lbs
DLS-90	7.8 lbs	DLS-48-20	7.8 lbs
		DLS-240-27-40	7.8 lbs

Dimensions and Weights (DLS-X)

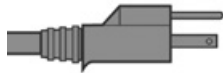


Optional Mounting Plate available for the DLS-X to match your existing DLS footprint. Contact Customer Service for details.

DLS-15-X	4.0 lbs	DLS-45-X	4.0 lbs	DLS-27-15-X	4.0 lbs
DLS-30-X	4.0 lbs	DLS-55-X	4.0 lbs	DLS-27-25-X	4.0 lbs

DLS-75-X	7.0 lbs	DLS-27-40-X	7.0 lbs
DLS-90-X	7.0 lbs		

Cord Configuration



DLS and DLS-X Units are equipped with a NEMA-rated power cord (approx. 30-inch length.) Plug configuration will vary depending on the voltage and amperage rating of the unit. Use the reference below to verify the plug-type for your IOTA charger.



NEMA 5-15
for 15A Receptacle

- DLS-15
- DLS-30
- DLS-45
- DLS-55
- DLS-27-15
- DLS-27-25
- DLS-54-13
- DLS-90
- DLS-15-X
- DLS-30-X
- DLS-45-X
- DLS-55-X
- DLS-27-15-X
- DLS-27-25-X



NEMA 5-20
for 20A Receptacle

- DLS-75
- DLS-75-X
- DLS-27-40
- DLS-48-20



NEMA 5-30
for 30A Receptacle

- DLS-90-X



NEMA 6-15
for 240VAC
15A Receptacle

- DLS-240-30
- DLS-240-45
- DLS-240-55
- DLS-240-27-25
- DLS-240-27-40

IOTA is dedicated to providing the products and service our customers demand and deserve...



Visit www.iotaengineering.com for more information about our wide range of AC/DC power products. Get the latest details on new products, consult our on-line technical library for installation guidelines and product specifications, or browse our FAQ section for helpful hints concerning power product applications. Need technical support? Our Customer Service team is only a click away.

You can find IOTA on social media...access our YouTube library full of useful video guides and tutorials, get handy #IOTATechTips on Twitter, or find out about industry events and upcoming shows on Facebook! Follow us, become part of the IOTA community, and share your project and application insight!

DISTRIBUTED BY:



P.O. Box 11846 Tucson, AZ 85734
1361 E. Wieding Road Tucson, AZ 85706
T. 1-800-866-4682 • F. (520) 741-2837
www.iotaengineering.com

Find us on-line...

