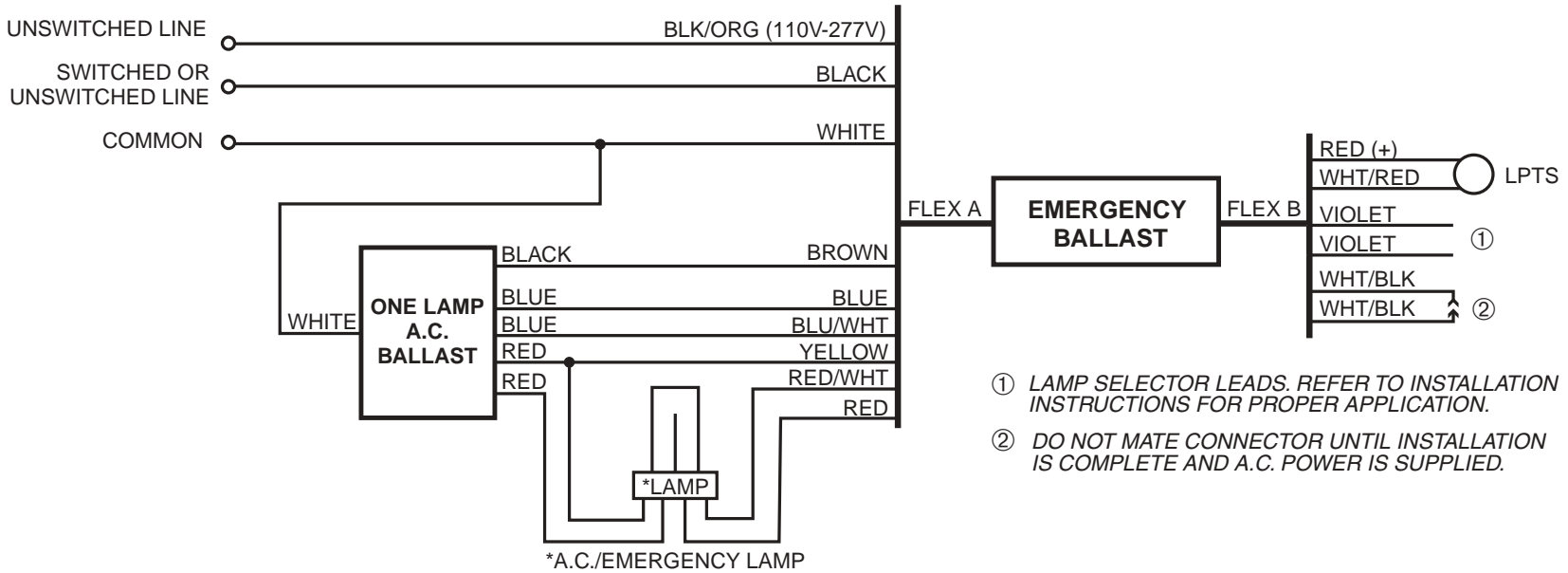


ONE LAMP RAPID START BALLAST



- ① LAMP SELECTOR LEADS. REFER TO INSTALLATION INSTRUCTIONS FOR PROPER APPLICATION.
- ② DO NOT MATE CONNECTOR UNTIL INSTALLATION IS COMPLETE AND A.C. POWER IS SUPPLIED.