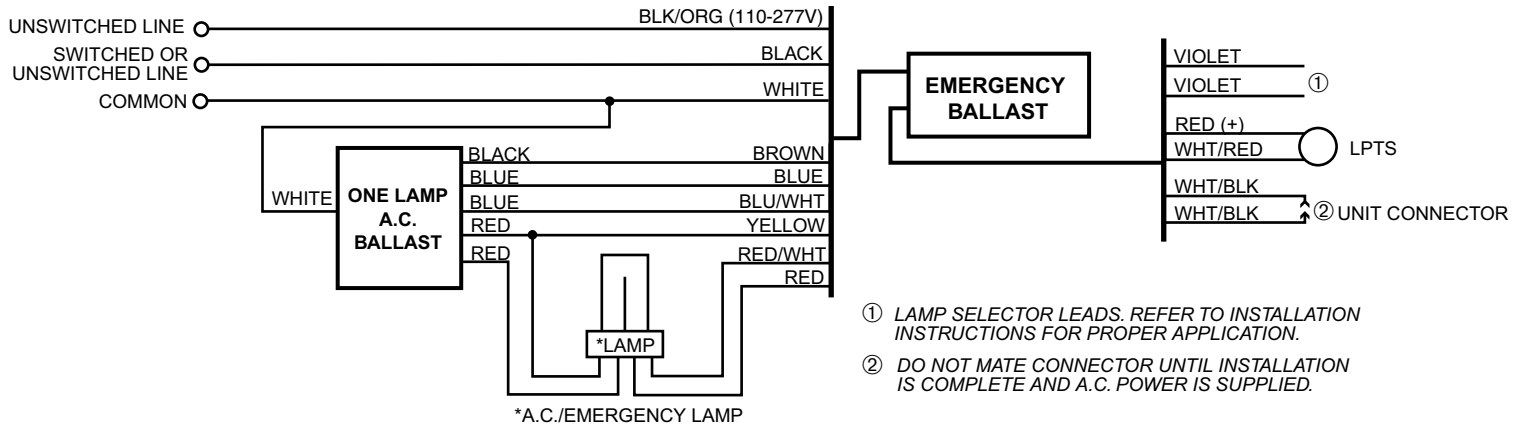


## ONE LAMP RAPID START BALLAST



NISD42B\_1

### NOTES

For 208VAC applications, consult Customer Service.

**IOTA**  
ENGINEERING, L.L.C.