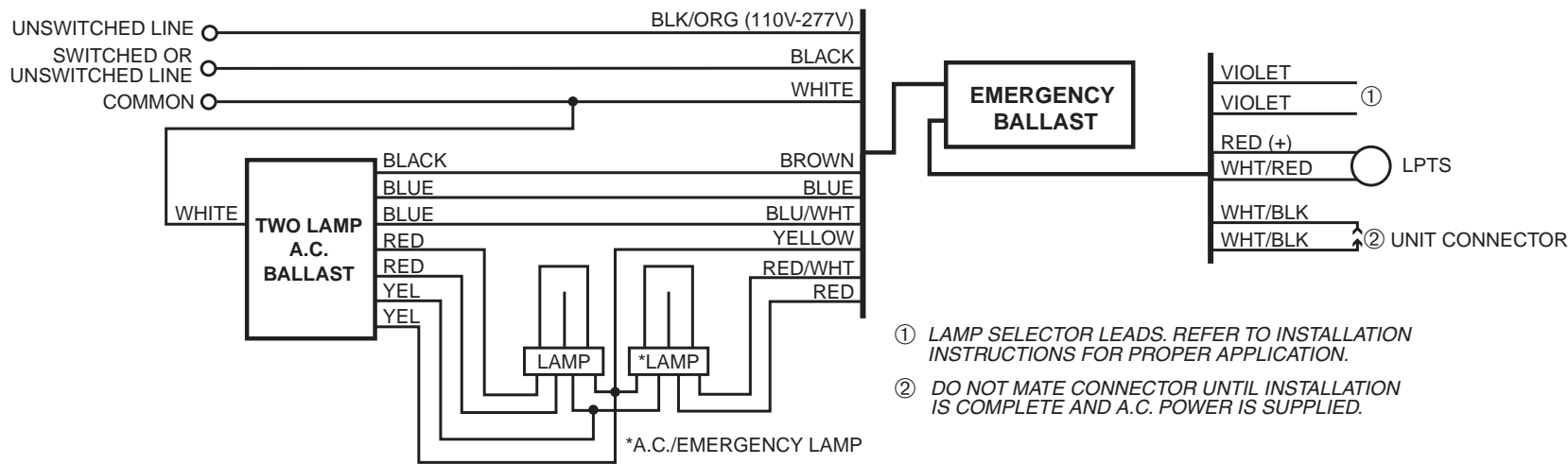


## TWO LAMP RAPID START BALLAST ONE LAMP EMERGENCY OPERATION



PHONE (520) 294-3292

FAX (520) 741-2837

WEB www.iotaengineering.com

