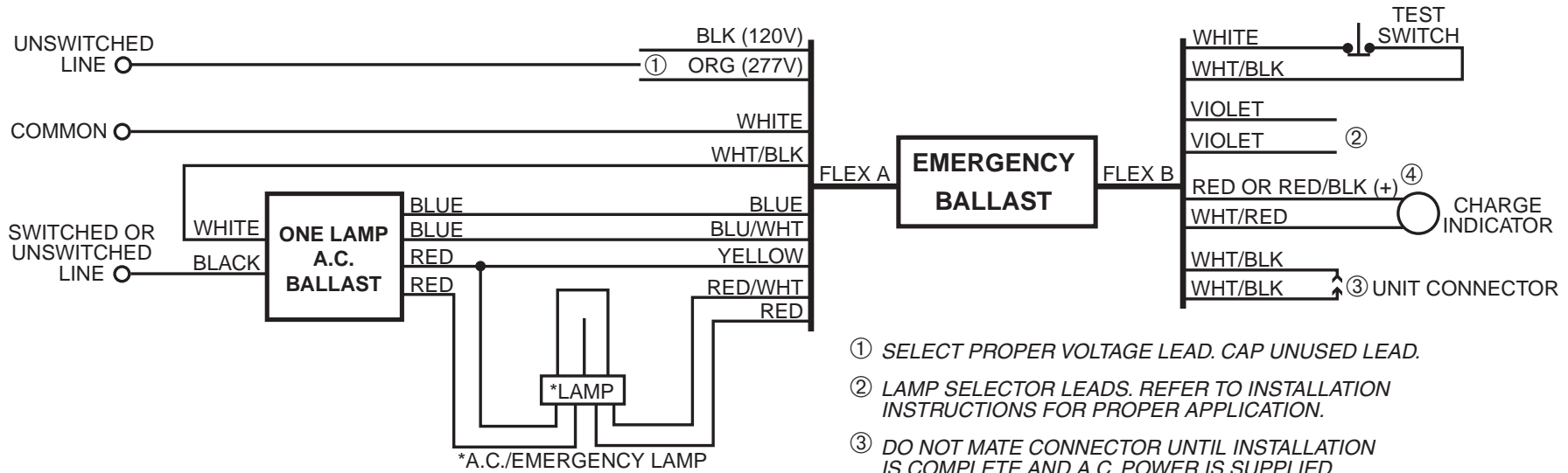


ONE LAMP RAPID START BALLAST



- ① SELECT PROPER VOLTAGE LEAD. CAP UNUSED LEAD.
- ② LAMP SELECTOR LEADS. REFER TO INSTALLATION INSTRUCTIONS FOR PROPER APPLICATION.
- ③ DO NOT MATE CONNECTOR UNTIL INSTALLATION IS COMPLETE AND A.C. POWER IS SUPPLIED.
- ④ TEST ACCESSORY LEAD—REFER TO INSTALLATION INSTRUCTIONS FOR PROPER POSITIVE LEAD WIRING.

EBT	
SSB6-120/277-1/13	LH
SSB6-120/277-1/18	LH
SSB6-120/277-1/26	LH
MOTOROLA	
M1-CF-13-S-120/277	
M1-CF-18-S-120/277	
M1-CF-26-S-120/277	
M1-CF-32-S-120/277	
M1-CF-42-S-120/277	

ALL COMPATIBLE BALLASTS MAY NOT BE LISTED.
 *DIMMING CONTROL WIRES ARE NOT AFFECTED BY EM PACK