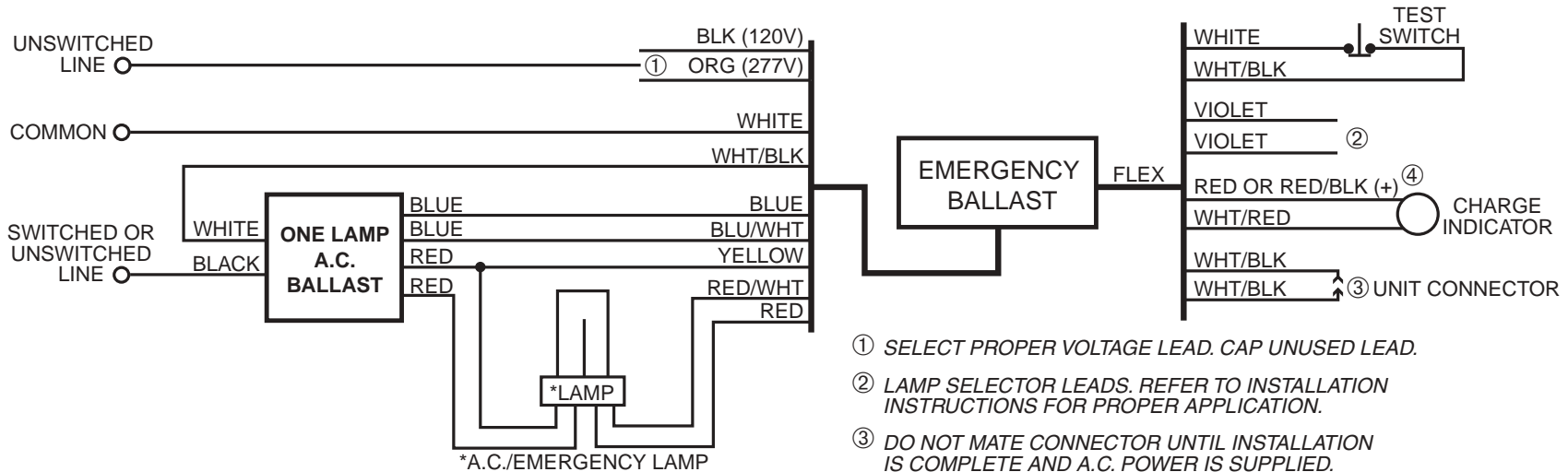


ONE LAMP RAPID START BALLAST



- ① SELECT PROPER VOLTAGE LEAD. CAP UNUSED LEAD.
- ② LAMP SELECTOR LEADS. REFER TO INSTALLATION INSTRUCTIONS FOR PROPER APPLICATION.
- ③ DO NOT MATE CONNECTOR UNTIL INSTALLATION IS COMPLETE AND A.C. POWER IS SUPPLIED.
- ④ TEST ACCESSORY LEAD—REFER TO INSTALLATION INSTRUCTIONS FOR PROPER POSITIVE LEAD WIRING.

PHONE (520) 294-3292

FAX (520) 741-2837

WEB www.iotaengineering.com



<p>ALL COMPATIBLE BALLASTS MAY NOT BE LISTED. *DIMMING CONTROL WIRES ARE NOT AFFECTED BY EM PACK</p>	
<p>EBT</p> <p>SSB6-120/277-1/13 LH SSB6-120/277-1/18 LH SSB6-120/277-1/26 LH</p>	
<p>MOTOROLA</p> <p>M1-CF-13-S-120/277 M1-CF-18-S-120/277 M1-CF-26-S-120/277 M1-CF-32-S-120/277 M1-CF-42-S-120/277</p>	