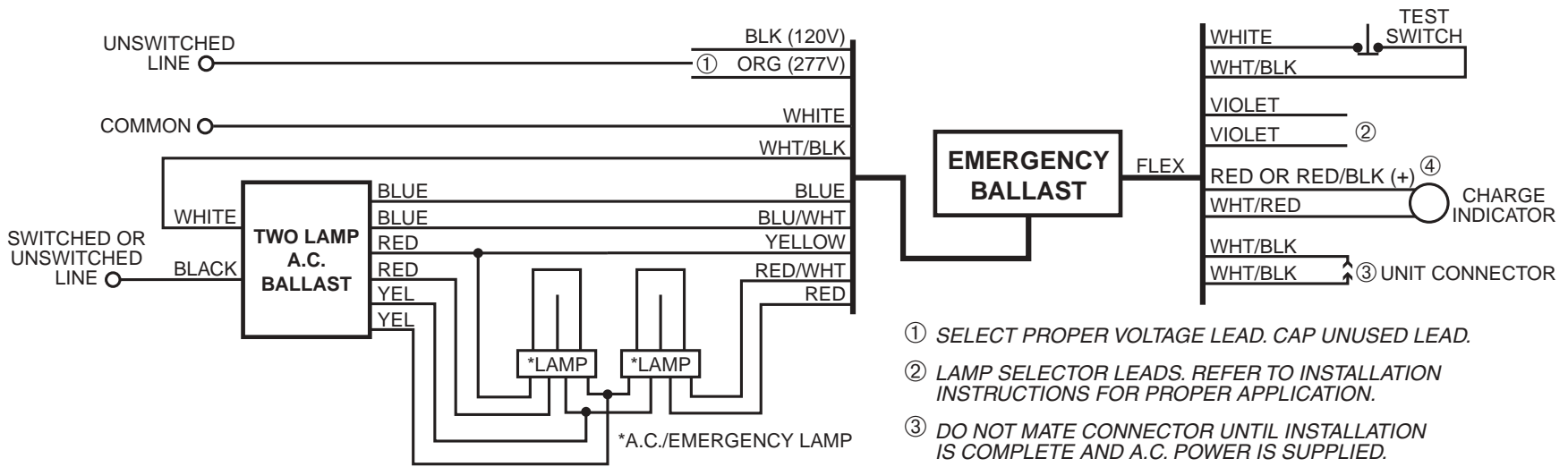


## TWO LAMP RAPID START BALLAST WITH TWO LAMP EMERGENCY OPERATION



- ① SELECT PROPER VOLTAGE LEAD. CAP UNUSED LEAD.
- ② LAMP SELECTOR LEADS. REFER TO INSTALLATION INSTRUCTIONS FOR PROPER APPLICATION.
- ③ DO NOT MATE CONNECTOR UNTIL INSTALLATION IS COMPLETE AND A.C. POWER IS SUPPLIED.
- ④ TEST ACCESSORY LEAD—REFER TO INSTALLATION INSTRUCTIONS FOR PROPER POSITIVE LEAD WIRING.

<b>ADVANCE</b>
RELVEL-2013-RH-TP
RELVEL-2018-RH-TP
RELVEL-2026-RH-TP
<b>EBT</b>
SSB6-120/277-2/13 LH
SSB6-120/277-2/18 LH
SSB6-120/277-2/26 LH
<b>MOTOROLA</b>
M2-CF-13-S-120/277
M2-CF-18-S-120/277
M2-CF-26-S-120/277

ALL COMPATIBLE BALLASTS MAY NOT BE LISTED.  
\* DIMMING CONTROL WIRES ARE NOT AFFECTED BY EM PACK

