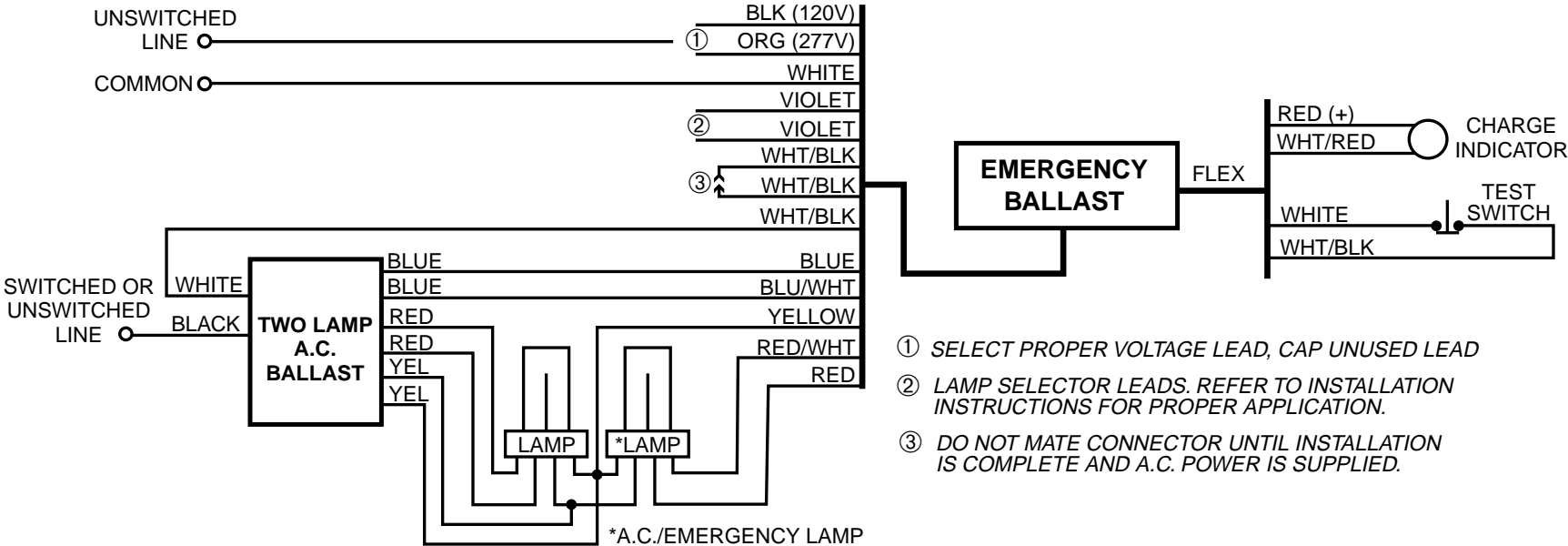


# TWO LAMP RAPID START BALLAST WITH ONE LAMP EMERGENCY OPERATION



- ① SELECT PROPER VOLTAGE LEAD, CAP UNUSED LEAD
- ② LAMP SELECTOR LEADS. REFER TO INSTALLATION INSTRUCTIONS FOR PROPER APPLICATION.
- ③ DO NOT MATE CONNECTOR UNTIL INSTALLATION IS COMPLETE AND A.C. POWER IS SUPPLIED.

PHONE (520)-294-3292

FAX (520) 741-2837

WEB www.iotaengineering.com



ALL COMPATIBLE BALLASTS MAY NOT BE LISTED.  
 \*DIMMING CONTROL WIRES ARE NOT AFFECTED BY EM PACK

MOTOROLA  
 M2-CF-13-S-120/277  
 M2-CF-18-S-120/277  
 M2-CF-26-S-120/277