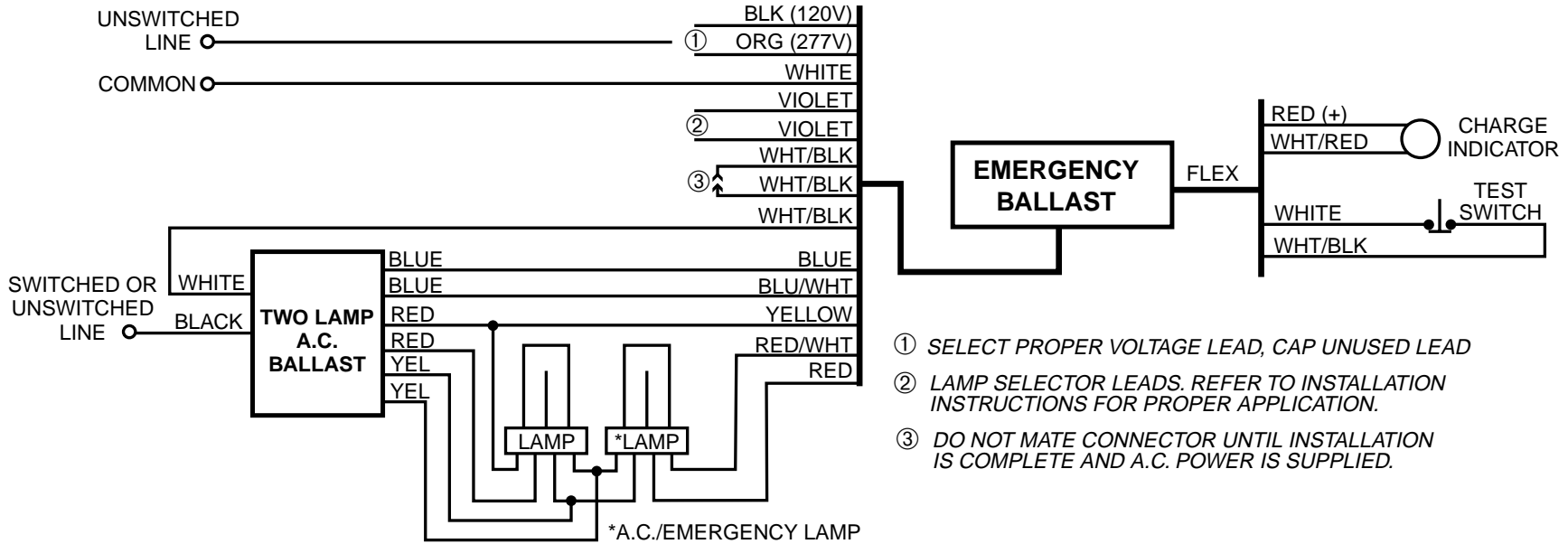


TWO LAMP RAPID START BALLAST WITH TWO LAMP EMERGENCY OPERATION



- ① SELECT PROPER VOLTAGE LEAD, CAP UNUSED LEAD
- ② LAMP SELECTOR LEADS. REFER TO INSTALLATION INSTRUCTIONS FOR PROPER APPLICATION.
- ③ DO NOT MATE CONNECTOR UNTIL INSTALLATION IS COMPLETE AND A.C. POWER IS SUPPLIED.

MOTOROLA

M2-CF-13-S-120/277

M2-CF-18-S-120/277

M2-CF-26-S-120/277

ALL COMPATIBLE BALLASTS MAY NOT BE LISTED.
 * DIMMING CONTROL WIRES ARE NOT AFFECTED BY
 EM PACK

