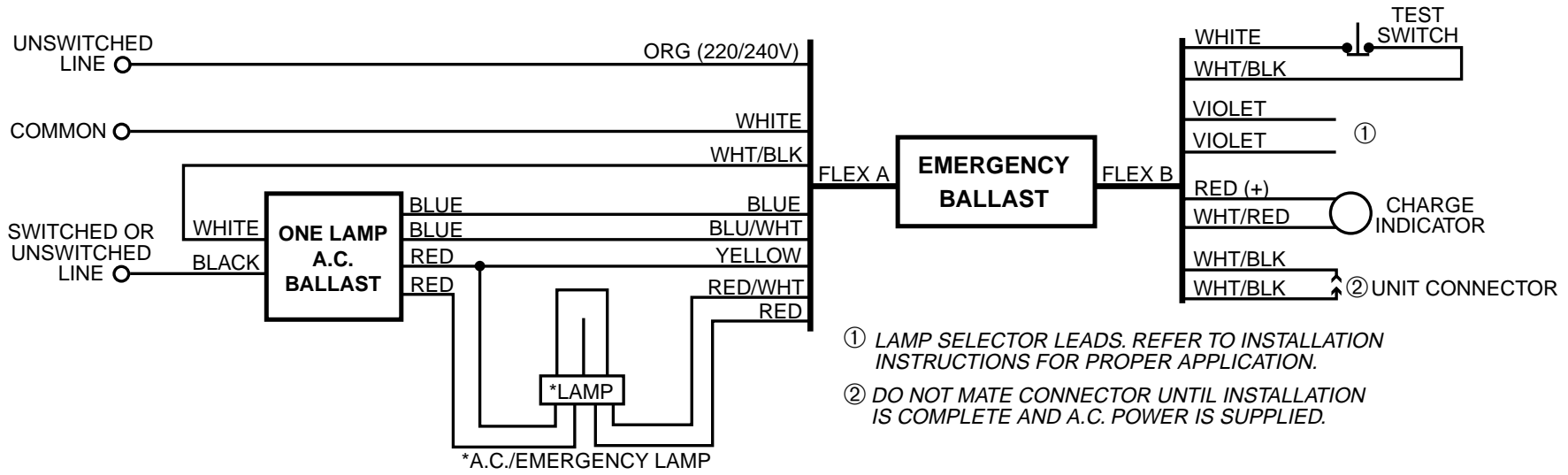


ONE LAMP RAPID START BALLAST

1LRSB



- ① LAMP SELECTOR LEADS. REFER TO INSTALLATION INSTRUCTIONS FOR PROPER APPLICATION.
- ② DO NOT MATE CONNECTOR UNTIL INSTALLATION IS COMPLETE AND A.C. POWER IS SUPPLIED.

PHONE (520) 294-3292

FAX (520) 741-2837

WEB www.idaengineering.com

IDA
ENGINEERING, L.L.C.

U1

U1