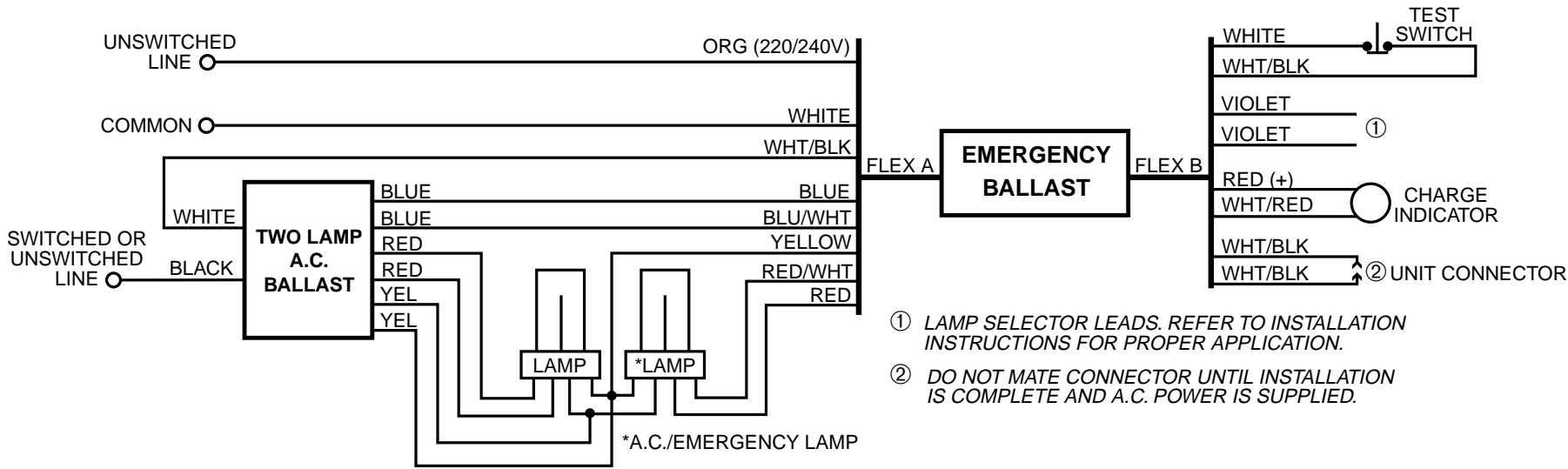


TWO LAMP RAPID START BALLAST



PHONE (520)-294-3292

FAX (520) 741-2837

WEB www.lotaengineering.com

