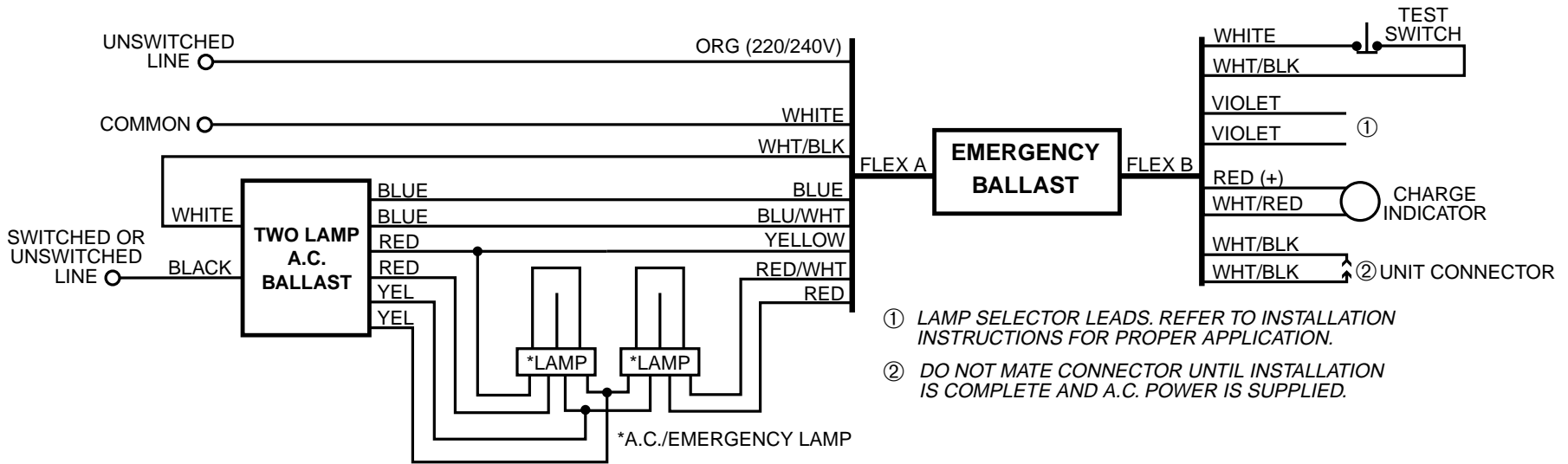


TWO LAMP RAPID START BALLAST WITH TWO LAMP EMERGENCY OPERATION

2LRSB_2LEO50

U3



PHONE (520)-294-3292

FAX (520) 741-2837

WEB www.iotaengineering.com



U3