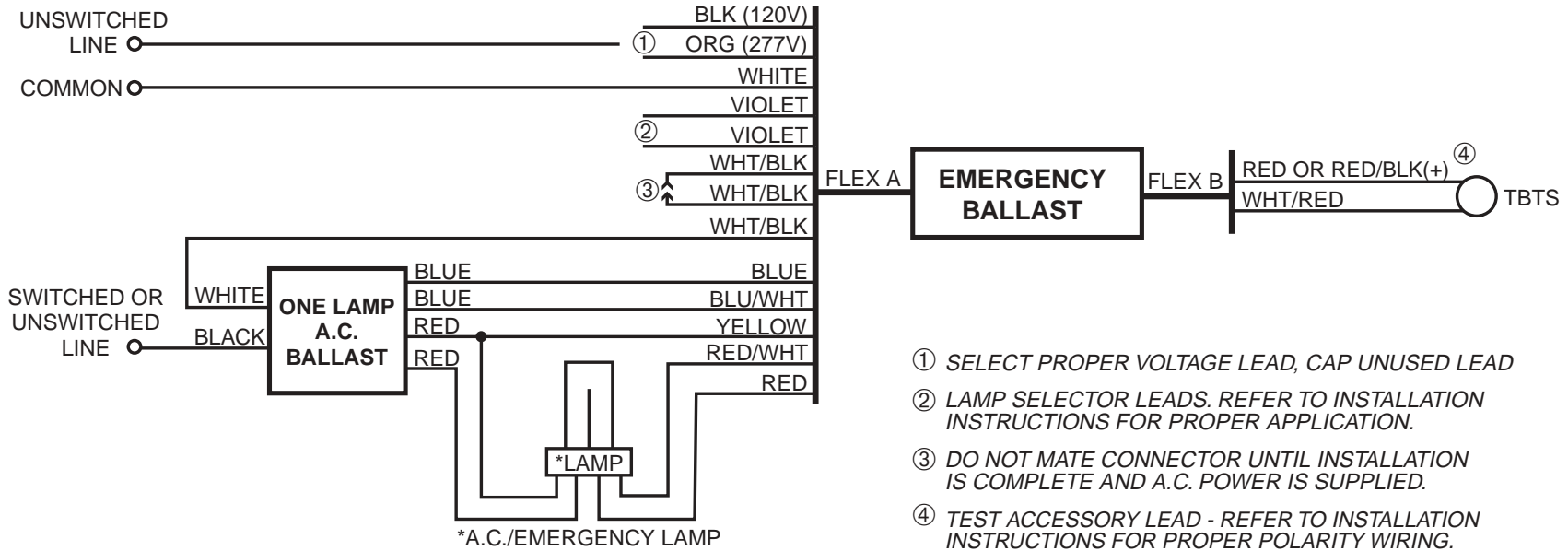


# ONE LAMP RAPID START BALLAST



- ① SELECT PROPER VOLTAGE LEAD, CAP UNUSED LEAD
- ② LAMP SELECTOR LEADS. REFER TO INSTALLATION INSTRUCTIONS FOR PROPER APPLICATION.
- ③ DO NOT MATE CONNECTOR UNTIL INSTALLATION IS COMPLETE AND A.C. POWER IS SUPPLIED.
- ④ TEST ACCESSORY LEAD - REFER TO INSTALLATION INSTRUCTIONS FOR PROPER POLARITY WIRING.

PHONE (520)-294-3292

FAX (520) 741-2837

WEB [www.iotaengineering.com](http://www.iotaengineering.com)



ALL COMPATIBLE BALLASTS MAY NOT BE LISTED.  
DIMMING CONTROL WIRES ARE NOT AFFECTED BY  
EM PACK

EBT	
SSB6-120/277-1/13	LH
SSB6-120/277-1/13	LH
SSB6-120/277-1/26	LH
MOTOROLA	
M1-CF-13-S-120/277	
M1-CF-18-S-120/277	
M1-CF-26-S-120/277	
M1-CF-32-S-120/277	
M1-CF-42-S-120/277	