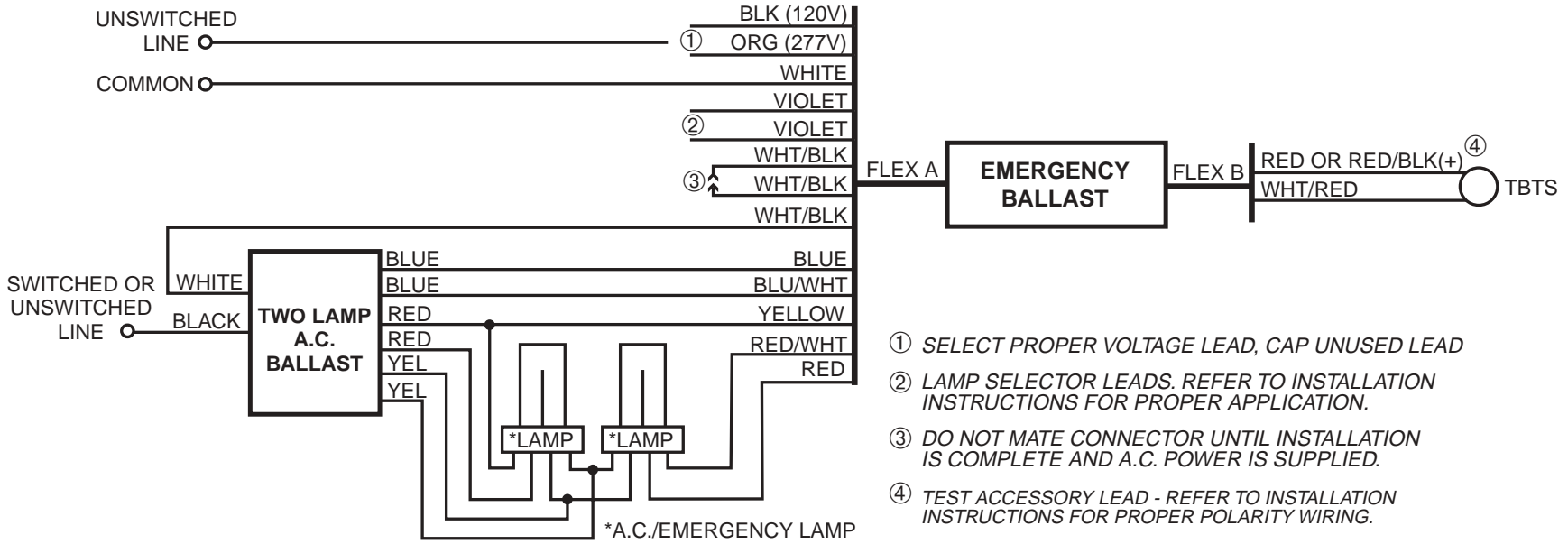


# TWO LAMP RAPID START BALLAST WITH TWO LAMP EMERGENCY OPERATION



- ① SELECT PROPER VOLTAGE LEAD, CAP UNUSED LEAD
- ② LAMP SELECTOR LEADS. REFER TO INSTALLATION INSTRUCTIONS FOR PROPER APPLICATION.
- ③ DO NOT MATE CONNECTOR UNTIL INSTALLATION IS COMPLETE AND A.C. POWER IS SUPPLIED.
- ④ TEST ACCESSORY LEAD - REFER TO INSTALLATION INSTRUCTIONS FOR PROPER POLARITY WIRING.

ALL COMPATIBLE BALLASTS MAY NOT BE LISTED.  
 \*DIMMING CONTROL WIRES ARE NOT AFFECTED BY EMI PACK

- ADVANCE**
- RELVEL-2013-RH-TP
  - RELVEL-2018-RH-TP
  - RELVEL-2026-RH-TP
- EBT**
- SSB6-120/277-2/13 LH
  - SSB6-120/277-2/18 LH
  - SSB6-120/277-2/26 LH
- MOTOROLA**
- M2-CF-13-S-120/277
  - M2-CF-18-S-120/277
  - M2-CF-26-S-120/277

