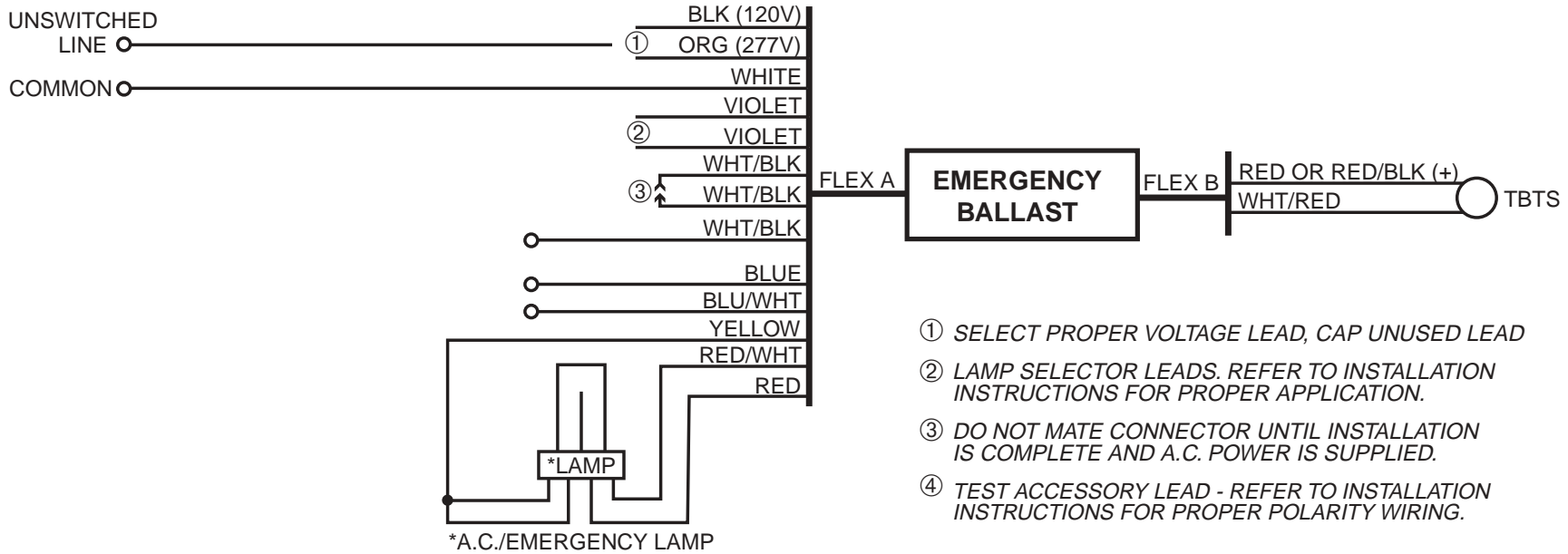


ONE LAMP EMERGENCY OPERATION



- ① SELECT PROPER VOLTAGE LEAD, CAP UNUSED LEAD
- ② LAMP SELECTOR LEADS. REFER TO INSTALLATION INSTRUCTIONS FOR PROPER APPLICATION.
- ③ DO NOT MATE CONNECTOR UNTIL INSTALLATION IS COMPLETE AND A.C. POWER IS SUPPLIED.
- ④ TEST ACCESSORY LEAD - REFER TO INSTALLATION INSTRUCTIONS FOR PROPER POLARITY WIRING.

NOTE: Operating lamps in EMERGENCY MODE ONLY for extended periods of time may reduce lamp life.