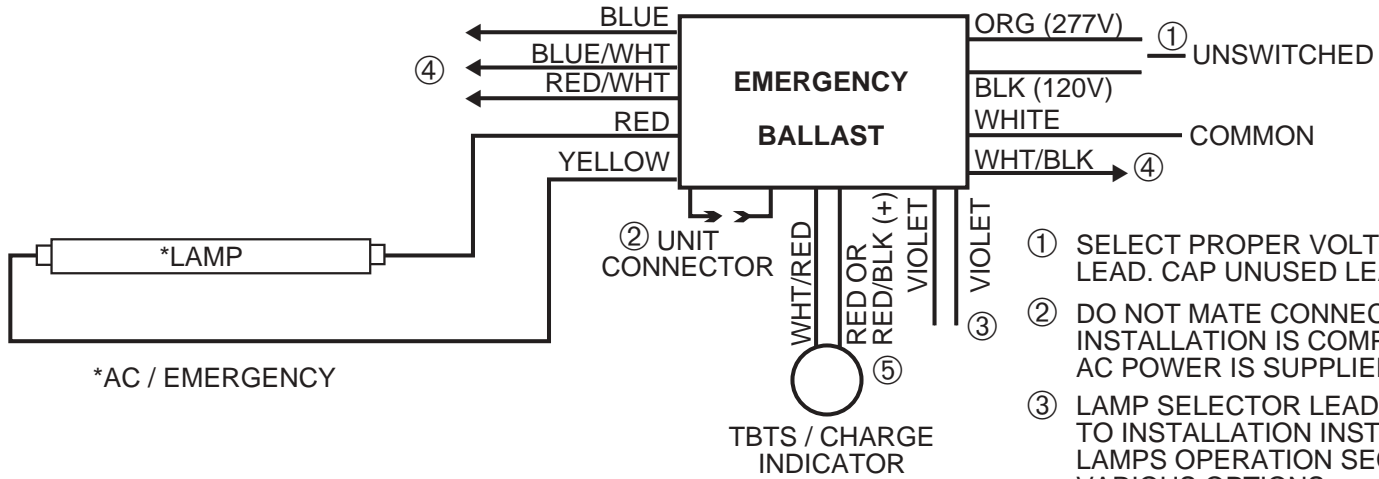


ONE LAMP EMERGENCY ONLY



- ① SELECT PROPER VOLTAGE LEAD. CAP UNUSED LEAD.
- ② DO NOT MATE CONNECTOR UNTIL INSTALLATION IS COMPLETE AND AC POWER IS SUPPLIED.
- ③ LAMP SELECTOR LEADS—REFER TO INSTALLATION INSTRUCTIONS, LAMPS OPERATION SECTION FOR VARIOUS OPTIONS.
- ④ CAP UNUSED LEADS.
- ⑤ TEST ACCESSORY LEADS-REFER TO INSTALLATION INSTRUCTIONS FOR PROPER POLARITY WIRING.

NOTE: Operating lamps in EMERGENCY MODE ONLY for extended periods of time may reduce lamp life.