



# ILB-2405

LED EMERGENCY BATTERY PACK

## OPTIONS

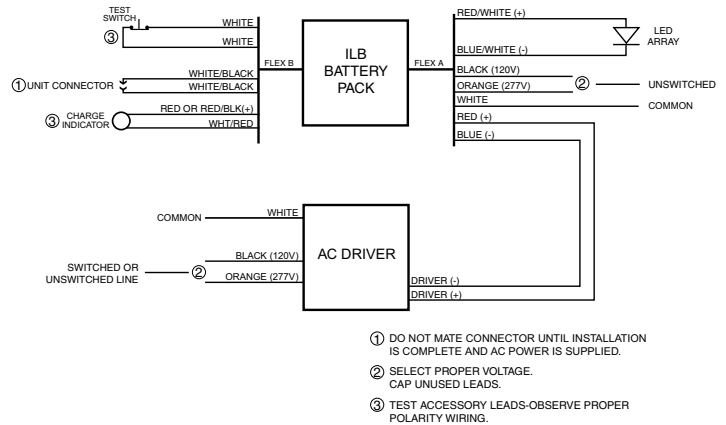
### CONFIGURATION

- TBTS (STANDARD)
- TWO-PIECE TEST SWITCH AND CHARGE INDICATOR

## ILB-2405 SAMPLE SPECIFICATION

Emergency lighting shall be provided by using a standard LED fixture equipped with an **ILB-2405** LED emergency battery pack. The **ILB-2405** shall consist of a high temperature, maintenance-free nickel cadmium battery, charger board and an electronic circuit enclosed in a 9.5" x 2.375" x 1.5" vandal-resistant galvanized steel case. The unit is designed for installation on top of the fixture and is equipped with  $\frac{3}{8}$ " flex for wiring to the fixture or ballast compartment. A test switch and charge indicator accessory kit shall be included. The LED emergency battery pack shall operate an LED load of up to 5W at a rated current output of 200mA for a minimum of 90 minutes in the emergency mode. The **ILB-2405** shall have 2.0 watts of input power and a battery capacity of 14.4 watt hours. The **ILB-2405** is UL Recognized and meets or exceeds all NEC and Life Safety Code Emergency Lighting Requirements. The **ILB-2405** is warranted for a full five (5) years from the date of purchase.

## ILB-2405 SAMPLE WIRING DIAGRAM



## REMOTE MOUNTING

When battery packs are remote mounted, the remote distance can not exceed  $\frac{1}{2}$  of the distance from driver to load specified by the A.C. driver manufacturer. For example, if the A.C. driver manufacturer recommends no more than 8' remote distance, then the battery pack should not exceed 4'. The maximum allowable remote mounting distance is 10' from the load.