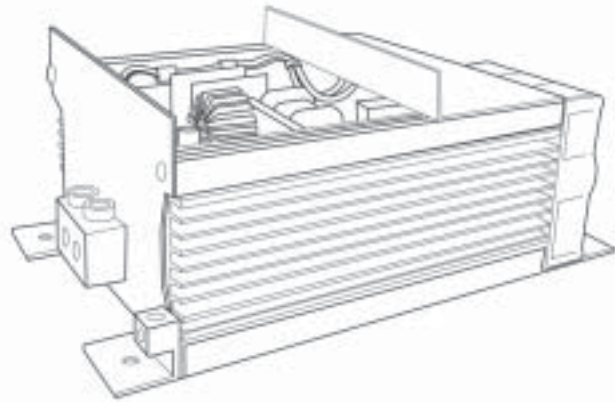


IOTA ENGINEERING

P.O. BOX 11846 TUCSON, AZ 85734
(520) 294-3292 • FAX (520) 741-2837
www.iotaengineering.com

ILC REPLACEMENT DLS CONVERTER INSTALLATION MANUAL



The ILC replacement DLS is specifically designed for connection to the ILC Load Center system. **Read these instructions carefully before installing the new DLS power converter/battery charger into the ILC Load Center.**

INSTALLING THE REPLACEMENT DLS

Be certain that all power sources connected to the ILC Load Center are OFF and disconnected and that the AC input is unplugged.

I. ACCESSING THE ORIGINAL DLS UNIT

Installation of the ILC Load Center will vary from system to system. Loosen and remove any mounting screws, then pull the ILC from its location to expose the mounted DLS converter/charger. To facilitate the replacement procedures, you can completely remove the ILC by disconnecting all connecting fuse wiring to the Load Center. If the ILC features a fuse plug connection, simply disconnect the plug. If the fuse connections are hardwired together, verify that all connecting wires are clearly labeled for reconnecting later.

II. REMOVING THE ORIGINAL DLS UNIT

Disconnect the DC output cable from the Terminal Lugs on the end of the DLS (See Figure A).

Determine which wires from the DLS are connected to the Circuit Breaker (BLACK), Neutral Bar (WHITE), and Ground Bar (GREEN) in the interior of the Load Center and disconnect (See Figure B).

Remove the DLS cord bushing at the back of the Load Center to release the DLS wires. **Save the bushing and reuse for installation of the replacement DLS.**

Remove the ten mounting screws joining the DLS to the Load Center (3 on each end, 2 on each side) and detach the DLS. **Save all mounting hardware and reuse for installation of the replacement DLS.**

III. INSTALLING THE REPLACEMENT DLS

Run the DLS Cord into the Load Center through the hole provided. Place the bushing onto the cord, close and snap into the hole.

Attach the Replacement DLS to the Load Center with the original mounting hardware. Be sure to insert and tighten all mounting screws securely.

In the interior of the ILC, connect the appropriate wires to the Circuit Breaker (BLACK), Neutral Bar (WHITE), and Ground Bar (GREEN) (See Figure B).

Reconnect the DC output to the Terminal Lug on the end of the DLS (See Figure A).

If necessary, reconnect any fuse connections before reinstalling the ILC Load Center and applying power to the system.

FIG. A - TERMINAL LUG CONNECTIONS

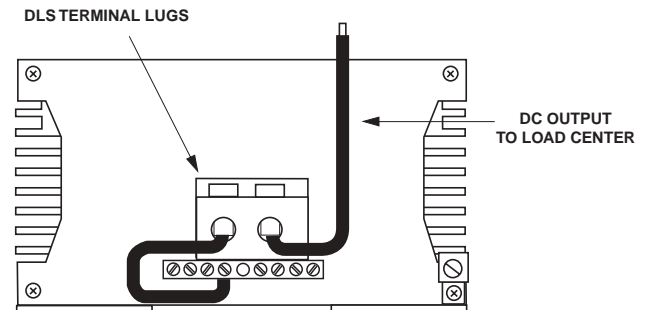


FIG. B - LOAD CENTER AC INPUT CONNECTION

