



MODEL NO: _____
 TYPE: _____
 PROJECT: _____
 COMMENTS: _____

LED OPERATION:

24 Watt LED Load
 @ 26 - 32 VDC nominal

OUTPUT:

Up to 24W

PRODUCT ADVANTAGES

- **Designed for outdoor paths of egress and freezing environments**
- **Heating Blanket and Temperature Control protects the battery from freezing conditions**

FEATURES

- UL Recognized Component
- Long life high temperature recyclable Ni-Cad batteries
- Galvanized steel case
- Includes test switch and charge indicator accessory kit
- Two battery configuration options available for meeting individual installation requirements.
- Suitable for use in damp locations and in enclosed and gasketed fixtures
- For use with switched or unswitched fixtures
- **5-Year Warranty.** See Warranty Page for details.
- Meets or exceeds all National Electrical Code and Life Safety Code Emergency Lighting Requirements
- RoHS Compliant

DESCRIPTION

The **ILB-3020-CW 750mA** from IOTA Engineering is a UL Recognized LED emergency battery pack that allows the same LED fixture to be used for both normal and emergency operation. In the event of a power failure, the **ILB-3020-CW 750mA** switches to the emergency mode and operates the existing fixture for **90 minutes**. The unit includes one 16-cell or two 8-cell long life high temperature Ni-Cad battery packs, and a single can containing a charger and converter circuit for wiring to the fixture and test accessories. A heating element and temperature control circuitry protect the battery pack from freezing during normal AC operation and allows the battery pack to reach acceptable operating temperatures before reactivating the charging circuit. The **ILB-3020-CW 750mA** is for use with an LED load up to **24W** at a rated current of **750mA**.

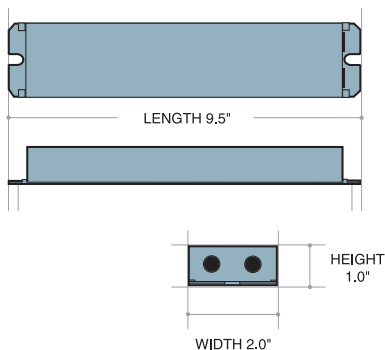
SPECIFICATIONS

Input Voltage	(Dual) 120/277 VAC, 60Hz
Input Rating	5.5 Watts
Input Rating with Heating Element On	86 Watts
Output Voltage	26VDC - 32VDC
Output Current	750 mA (constant)
Output Power	Up to 24W max.
Emergency Operation	90 minutes
Operating Temp	-20° to 50° C
Battery	Nickel-Cadmium 24 Hour Recharge 7-10 Year Life Expectancy
Weight	4.5 lbs.
UL Conditions of Acceptability	Must be factory wired Battery temperature must not exceed 50° C

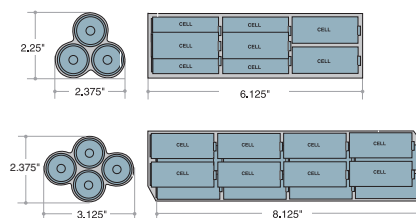


DIMENSIONS

UNIT DIMENSIONS



BATTERY CONFIGURATIONS



For cold-weather battery packs, add approximately 1/8" to the battery width and height to accommodate the heating blanket.



