



P.O. BOX 11846 TUCSON, AZ 85734
(520) 294-3292 • FAX (520) 741-2837
www.iotaengineering.com

ILB-SL-CP-HE

HIGH EFFICIENCY
EMERGENCY LIGHTING EQUIPMENT
FOR LED

Patented. See iotaengineering.com/patents for more details

INSTRUCTION MANUAL

IMPORTANT SAFEGUARDS

When using electrical equipment, basic safety precautions should always be followed, including the following:

READ AND FOLLOW ALL SAFETY INSTRUCTIONS

1. **CAUTION** – To prevent electrical shock, do not mate unit connector until installation is complete and A.C. power is supplied to the unit.
2. **CAUTION** – This fixture provides more than one power supply output source. To reduce the risk of electrical shock, disconnect both normal and emergency sources by turning off the A.C. branch circuit and by disconnecting the unit connector.
3. **CAUTION** – This is a sealed unit. Components are not replaceable. Replace the entire unit when necessary.
4. **CAUTION** – Installation and servicing should be performed by **qualified personnel only**. De-energize before opening.
5. The **ILB-SL-CP-HE** is for use with grounded LED luminaires listed to UL standards. Not for use in heated air outlets or hazardous locations.
6. The **ILB-SL-CP-HE** requires an unswitched A.C. power source of 120 to 277 volts AC, 50/60Hz.
7. The **ILB-SL-CP-HE** and A.C. driver **must** be on the same branch circuit.
8. Do not mount near gas or electric heaters.
9. The **ILB-SL-CP-HE** should be mounted in locations and at heights where it will not readily be subjected to tampering by unauthorized personnel.
10. The **ILB-SL-CP-HE** will supply 10-60VDC output at the individual rated specification for 90 minutes. See individual units for output specifications.
11. The **ILB-SL-CP-HE** meets CEC requirements for a small battery charger per CEC-400-2014-009-CMF.
12. Suitable for installation in or on top of compartment spaces. Flexible conduit not needed for internal compartment installation. For top mounting, use the TMK-ISL accessory.
13. Suitable for use in damp locations, enclosed and gasketed fixtures, and plenum spaces.
14. Suitable for luminaires, recessed Type IC (intended for insulation contact).
15. For use in 0° C minimum, 55° C maximum ambient temperatures.
16. The use of accessory equipment not recommended by the manufacturer may cause an unsafe condition, void warranty, and result in non-compliance with UL specifications.
17. Do not use this equipment for other than intended use.
18. Install in accordance with the National Electrical Code and local regulations.
19. Lighting fixture manufacturers, electricians, and end-users need to ensure product system compatibility before final installation. See addendum for compatibility and covered luminaire requirements.

SAVE THESE INSTRUCTIONS



EMERGENCY LED DRIVER FOR USE
WITH LED LUMINAIRES IDENTIFIED IN
THE MANUFACTURER'S INSTALLATION
INSTRUCTIONS
E473237

CLASS 2 OUTPUT



MEETS CEC
ENERGY EFFICIENCY
STANDARDS



THIS UNIT CONTAINS A
RECHARGEABLE NICKEL-CADMIUM BATTERY.
PLEASE RECYCLE OR DISPOSE OF PROPERLY.

INSTALLATION INSTRUCTIONS

CAUTION: Before installing, make certain the A.C. power is off and the ILB-SL-CP-HE unit connector is disconnected.

1. FIXTURE

The **ILB-SL-CP-HE** can be used with most LED loads that operate at 10-60 VDC. See the **ILB Model Specification Chart** for output specifications of the unit being installed.

1. The ILB-SL-CP-HE series has been evaluated to and found compliant to UL standard 924. The as-installed performance of system must meet or exceed all Federal, State, and Local code requirements.
2. Refer to Addendum 11042014 for detailed specifications and methods to calculate emergency light levels.

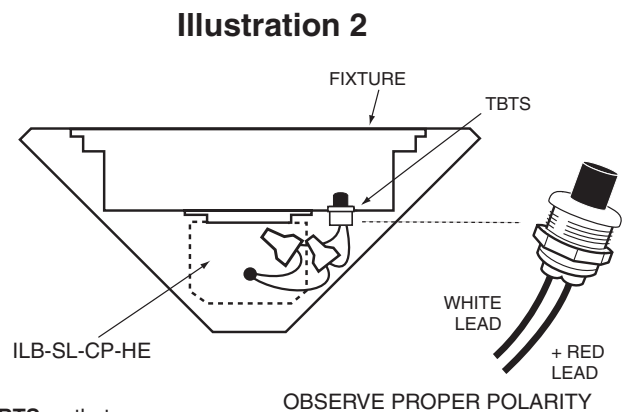
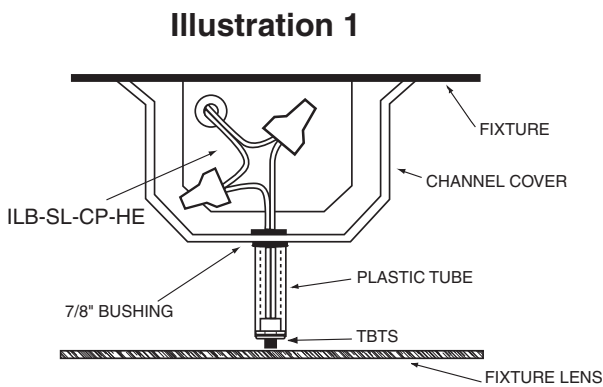
ILB MODEL SPECIFICATION CHART

MODEL #	OUTPUT POWER (CONSTANT)
ILB-SL-CP05	5 WATTS
ILB-SL-CP07	7 WATTS
ILB-SL-CP08	8 WATTS
ILB-SL-CP10	10 WATTS
ILB-SL-CP12	12 WATTS

2. MOUNTING THE ILB

Mount the **ILB-SL-CP-HE** in the driver/lamp compartment or enclosed wireway so the wire leads are not exposed, at least 1/2" away from the driver. Refer to *Illustrations 1 and 2*.

When battery packs are remote mounted, consult Customer Service for the maximum allowable distance between the battery pack and the load.

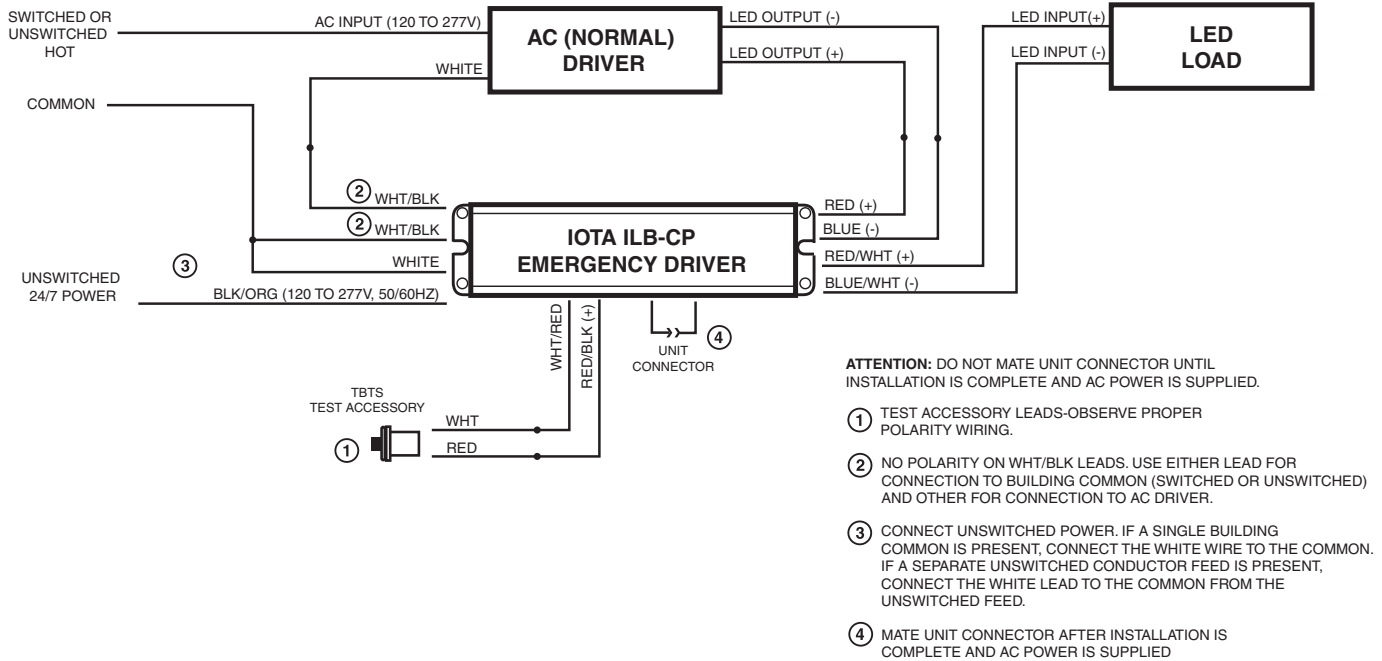


NOTE: Position the **TBTS** so that it can be seen after installation.

3. WIRING

Refer to Illustration 3 for the appropriate wiring of the LED load and driver. Install in accordance with the National Electrical Code and local regulations. For additional wiring diagrams consult Customer Service.

Illustration 3: Typical Wiring Diagram



4. INSTALLING THE THREADED BODY TEST SWITCH (TBTS)

Recessed Troffer Fixture– Select a convenient location with proper clearance in the channel cover and drill or punch a ⁷/₈” hole. Insert the ⁷/₈” bushing into the hole. Push the plastic tube through the bushing. Route the leads of the **TBTS** through the plastic tube. Connect the LED wires from the unit to the **TBTS** (Red/Black to Red, White/Red to White). Push the entire assembly back into the tube until the lens collar rests against the plastic tube. The plastic tube should be adjusted so that the **TBTS** is within ¹/₄” of the fixture lens. The **TBTS** must be visible after installation. Refer to *Illustration 1*.

Linear Fixture – Select a convenient location on the fixture so the **TBTS** can be seen after installation. Allow for proper clearance inside the fixture and drill or punch a ¹/₂” hole. Remove the nut from the **TBTS**. Push the **TBTS** housing into the ¹/₂” hole and secure with the nut. Connect the LED wires from the unit to the **TBTS** (Red/Black to Red, White/Red to White). Refer to *Illustration 2*.

NOTE: To ensure proper operation, use only the test accessories provided with the unit (*See Page 1 of the Instruction Manual*).

5. LABELS

Attach the appropriate labels adjacent to the **TBTS**. Annotate Replacement Label with identical manufacturer part number(s). The Caution and the Replacement labels must be on the fixture in a readily visible location to anyone attempting to service the fixture.

6. WIRING THE A.C. INPUT

- The **ILB-SL-CP-HE** and A.C. driver **MUST** be on the same branch circuit.
- The **ILB-SL-CP-HE** requires an **unswitched** A.C. power source of 120 to 277 VAC, 50/60Hz; therefore when used with switched fixtures, the ILB input must be wired ahead of the switch.
- Refer to the wiring diagrams on the back page for the proper wiring. For wiring diagrams not shown, consult our customer service.

7. COMPLETING INSTALLATION

When the installation is complete, switch the A.C. power on and join the **ILB-SL-CP-HE** unit connector.

OPERATION

Normal Mode – A.C. power is present. The A.C. driver operates the LED load as intended. The **ILB-SL-CP-HE** is in the standby charging mode. The **TBTS** will be lit providing a visual indication that the battery is being charged.

Emergency Mode – The A.C. power fails. The **ILB-SL-CP-HE** senses the A.C. power failure and automatically switches to the *Emergency Mode*. One or multiple LEDs are illuminated, for a minimum of 90 minutes. When the A.C. power is restored, the **ILB-SL-CP-HE** switches the system back to the *Normal Mode* and resumes battery charging. See page 1 of the Instruction Manual.

TESTING & MAINTENANCE

Pressing the **TBTS** turns off the light on the **TBTS** and forces the unit into emergency mode, interrupting power to the designated A.C. driver. The LED load is now being lit by the **ILB-SL-CP-HE** unit. After releasing the **TBTS**, the fixture returns to normal operation after a momentary delay. To simulate a “BLACK OUT” use the circuit breaker to turn off A.C. power.

Initial Testing – Allow the unit to charge approximately 1 hour, then conduct a short discharge test. Allow a 24 hour charge before conducting a one hour test.

The **ILB-SL-CP-HE** is a maintenance free unit, however, periodic inspection and testing is required. NFPA 101, Life Safety Code, outlines the following schedule:

Monthly – Insure that the **TBTS** light is illuminated. Conduct a 30 second discharge test by depressing the **TBTS**. At least one LED should operate at reduced output.

Annually – Insure that the **Charge Indicator** is illuminated. Conduct a full 90 minute discharge test. The unit should operate as intended for the duration of the test.

“Written records of testing shall be kept by the owner for inspection by the authority having jurisdiction.”

SERVICING SHOULD BE PERFORMED BY QUALIFIED PERSONNEL.

Consult Customer Service or visit www.iotaengineering.com for current warranty information.

**CP Series Compatibility and Suitability of Use Guidelines
Addendum (Rev.11042014)**

The purpose of this addendum is to sufficiently identify electrical compatibility and predictable emergency light output of the LED luminaire when used with the IOTA ILB-CP Series LED emergency drivers. Verification of these operating traits does not constitute a code-compliant, as-installed emergency egress system. It is still the responsibility of the Designer/Specifier to assure appropriate light levels are achieved during emergency operation of the luminaire in accordance with Federal, state and local municipal codes regarding path of egress illumination.

1. Determining Electrical Compatibility

- 1.1 Verify Class 2 compliant driver per driver manufacture specifications.
- 1.2 Verify that the Emergency Driver (ILB-CP Series) selected does not exceed the power delivered to the LED array (voltage and current) of the normal driver.

2. Calculating Lumen Output During Emergency Operation

2.1 Assess luminaire/fixture data.

2.1.1 DESIGNLIGHTS CONSORTIUM

- Log onto the DesignLights Consortium website (www.designlights.org).
- Click on “search the DLC Qualified Product List” button on the DLC homepage.
- In the “search by keyword” text window enter: luminaire manufacturer name and part number.
- Click on “Search” tab to open the “Qualified Products List.”
- Determine per “RATED DATA” efficacy shown in lumens per watt - (lm/w).
- Multiply lumens per watt by ILB-CP rated output (example: lm/w x 5 watts). Refer to table “ILB MODEL SPECIFICATION CHART” below for the wattage of the specific ILB-CP model to be used in the luminaire. (lm/w) x (ILB-CP Watts) = Minimum emergency lumens of fixture.
- Determine per “RATED DATA” the “wattage of the luminaire”.

ILB MODEL SPECIFICATION CHART

MODEL #	OUTPUT POWER (CONSTANT)
ILB-CP05	5 WATTS
ILB-CP07	7 WATTS
ILB-CP10	10 WATTS
ILB-CP12	12 WATTS
ILB-CP20	20 WATTS
ILB-SL-CP05	5 WATTS
ILB-SL-CP07	7 WATTS
ILB-SL-CP08	8 WATTS
ILB-SL-CP10	10 WATTS
ILB-SL-CP12	12 WATTS

3. Determining Adequacy of Means-of-Egress Lighting Levels

- 3.1 Follow industry standards by utilizing available .ies files and lighting design software for your dedicated emergency luminaires, with the above calculated emergency lumens, and validate your as-installed plans in accordance with the applicable life safety codes governing your project, typically 1 fc on the ground along the full means of egress.

While the ILB-CP series has been found compliant with the requirements of UL Standard 924, it is ultimately the responsibility of the Designer/Specifier to assure the as-installed system delivers code-compliant path of egress illumination in accordance with Federal, State or local municipal requirements.