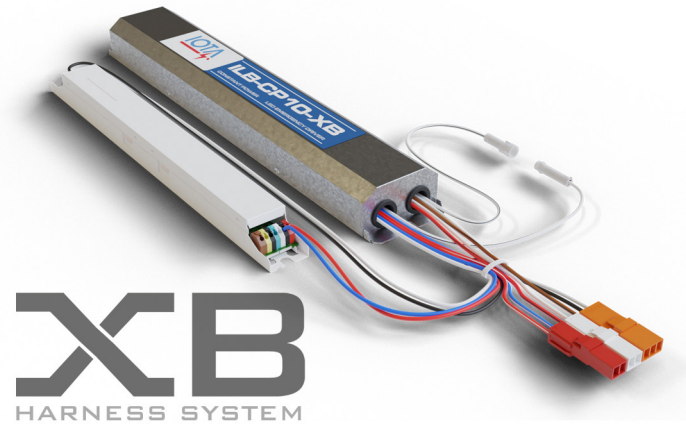
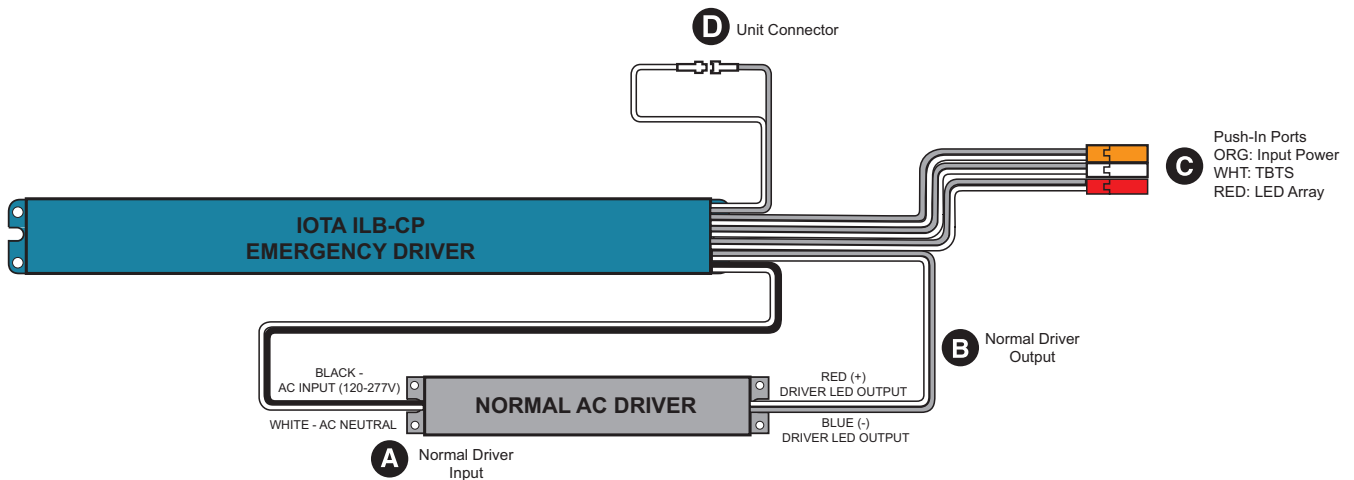


## Simplified Emergency Driver Installation with the XB Harness



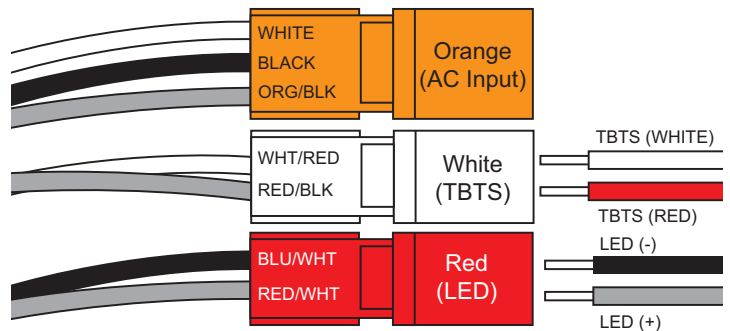
- Pre-configured push-in ports promote faster overall installation time.
- Reduced wiring error potential both in the factory and in the field.
- Exceptional ILB-CP emergency driver is compatible with almost any LED driver design.

IOTA's pre-configured XB harness allows for fast and simplified installation with most LED driver components by providing pre-wired push-in port connections for the LED array, test accessory, and input ports, eliminating the need for hardwiring individual connections with wire nuts and reducing the possibilities for wiring errors.



### Connections

- A** The AC Input leads of the ILB-CP connect to the Normal AC Driver poke-in positions.
- B** The ILB-CP LED Output leads (POS and NEG) connect to the Normal AC Driver poke-in ports.
- C** Leads to the LED array (POS and NEG) and the Test Button leads (POS and NEG) are inserted into the Red and White connectors.  
The Orange Connector accepts the AC Line Input leads (switched and unswitched) during final installation.
- D** The Unit Connector is mated after final installation is complete to activate the battery charger circuit.



The XB Harness is currently offered as an option on two models:

## ILB CP10



Fixture Efficacy	Minute 1	Minute 45	Minute 90
100 lm/W	1000	1000	1000
110 lm/W	1100	1100	1100
120 lm/W	1200	1200	1200
130 lm/W	1300	1300	1300

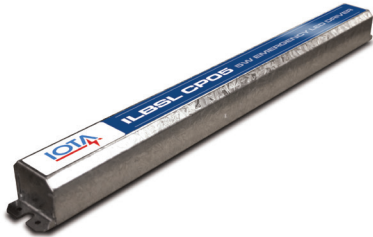
Input Voltage.....	(Universal) 120-277VAC, 50/60Hz
Input Rating (120/277).....	3.7 Watts (max)
Output Voltage <sup>1</sup> .....	10-60VDC Class 2 Compliant
Output Current.....	1.0A (@10VDC) - 0.16A (@60VDC)
Output Power.....	10 Watts (constant)
Max. AC Driver Output Current.....	3Adc
Power Factor.....	≥ 0.9
Emergency Operation.....	90 minutes
Operating Temp.....	0° to 55° C
THD.....	< 20%
Battery.....	High Temp Nickel-Cadmium 24 Hour Recharge 7-10 Year Life Expectancy
Dimensions.....	13.0" x 2.2" x 1.25"
Weight (configuration).....	3.5 lbs. (XB)
Approval.....	UL Listed and Classified for factory and field installation



**XB** (Non-Flex with Push-In Input/Output Connectors)



## ILBSL CP05



Fixture Efficacy	Minute 1	Minute 45	Minute 90
100 lm/W	500	500	500
110 lm/W	550	550	550
120 lm/W	600	600	600
130 lm/W	650	650	650

Input Voltage.....	(Universal) 120-277VAC, 50/60Hz
Input Rating (120/277).....	2.7 Watts (max)
Output Voltage <sup>1</sup> .....	10-60VDC Class 2 Compliant
Output Current.....	0.5A (@10VDC) - 0.083A (@60VDC)
Output Power.....	5 Watts (constant)
Max. AC Driver Output Current.....	3Adc
Power Factor.....	≥ 0.9
Emergency Operation.....	90 minutes
Operating Temp.....	0° to 55° C
THD.....	< 20%
Battery.....	High Temp Nickel-Cadmium 24 Hour Recharge 7-10 Year Life Expectancy
Dimensions.....	16.5" x 1.54" x 1.2"
Weight.....	2.4 lbs.
Approval.....	UL Listed and Classified for factory and field installation



**XB** (with Push-In Input/Output Connectors)

