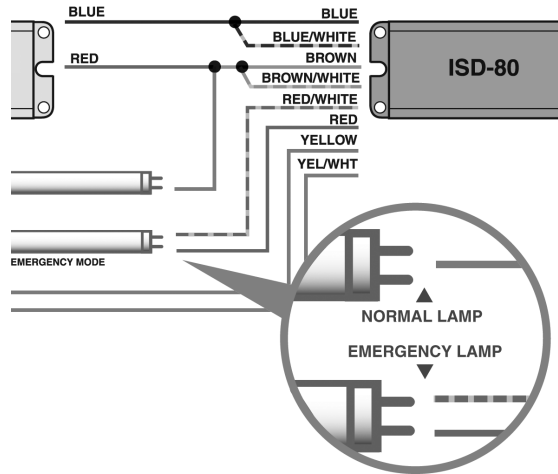


TECHNICAL BRIEF

ISD-80 Series AC for Instant Start Applications



The ISD-80 Series AC delivers AC output in the emergency mode for compatibility with low mercury content amalgam lamps. To facilitate this compatibility, the ISD-80 Series AC utilizes filament heaters for the lamp pins. The filament heater leads connect to the lamp pins **independently** of one another, therefore with Instant Start applications, rapid start sockets must be used for proper emergency lamp connection, as indicated in the ISD-80 Series AC wiring diagrams. Not wiring the lamp pins independently will result in shorting of the output circuit.

Should you have any questions regarding these instant start applications, please feel free to contact your Customer Service Representative via email or by calling 1-800-866-4682.