

STEP DIMMING

QUALIFIED TO
NEMA 410
STANDARDS



DESCRIPTION

The IOTA **ETS-STEP** Emergency Lighting Control Device allows the use of local switch and step dimming control on designated emergency luminaires when emergency power is provided by a generator or inverter. The **ETS-STEP** senses the loss of normal AC power and **bypasses local step dimming settings**, allowing emergency power directly to the fixture regardless of bi-level control settings. The **ETS-STEP** is rated for any lamp load up to **3 amps** continuous power including **LED loads per NEMA 410 standards**. The **ETS-STEP** is an ideal solution for achieving **increased energy savings** in accordance with most energy efficiency standards by eliminating the need to operate the designated emergency fixtures 24/7 when emergency power is sourced from a generator or inverter. The additional power lead of the **ETS-STEP** interfaces with the driver or ballast's step dimming control for proper emergency operation of the fixture from the designated auxiliary supply.

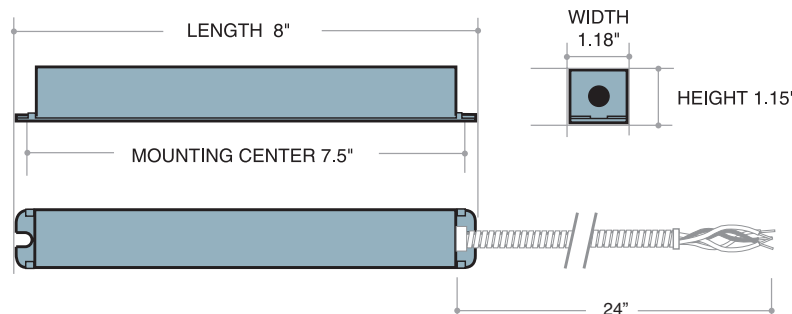
SPECIFICATIONS

Input Voltage	(Dual) 120/277V, 60Hz
Input Current	35 mA
Maximum Switching Current	3 Amps @ 120V 3 Amps @ 277V
Circuit Protection	3A on Control Input 3A on 120/277V Outputs
Dimming Compatibility	For use with step dimming applications
Emergency Operation	The ETS-STEP allows operation of any lamp type in the designated fixture for the duration of the auxiliary supply
Initial Illumination	The ETS-STEP allows operation of the designated load at full light output
Operating Temp	0° to 55° C
Surge Protection	Meets ANSI/IEEE C62.41.2-2002
Weight	1.0 lbs.
Approval	UL 924 Listed



DIMENSIONS

8.0" x 1.18" x 1.15" (mounting center 7.5")



MODEL NO: _____
TYPE: _____
PROJECT: _____
COMMENTS: _____

OUTPUT

Full Light Output

LOADS OPERATED

Allows operation of any LED, fluorescent, or incandescent switched fixture with Step Dimming from the generator or inverter supply up to 3 amps continuous.

PRODUCT ADVANTAGES

- **Regains local switch control of designated emergency fixtures powered from a generator or inverter**
- **Promotes energy savings by eliminating the need for always-on fixtures**
- **Step-Dimming dual relay design allows the use of step dimming controls on your emergency luminaire**
- **Full light output**
- **Compatible with LED loads up to 3 amps continuous in accordance with NEMA 410**

FEATURES

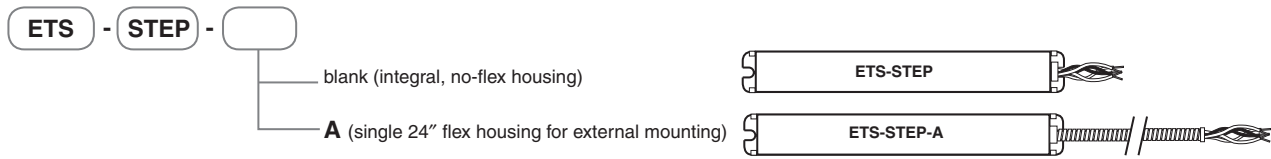
- Shunts local switch devices in the emergency mode allowing for full lumen output
- Rated for LED loads up to 3 amps continuous per NEMA 410 standards
- Galvanized steel case
- Dual Voltage 120/277V 60hz
- Rated for use in plenum fixtures
- Meets or exceeds all NEC, IBC, and Life Safety Code Emergency Lighting Requirements
- RoHS Compliant
- **5-Year Warranty.** See Warranty Page for details.



ETS-STEP

3-AMP EMERGENCY LIGHTING CONTROL DEVICE for STEP DIMMING

CONFIGURATION



WIRING

This diagram shows a separately derived system (switched neutral). When the generator is not a separately derived system, the neutral conductors are solidly interconnected.

