



Also available with

**DUAL | ZONE**  
DIMMING CONTROL

MODEL NO: \_\_\_\_\_  
 TYPE: \_\_\_\_\_  
 PROJECT: \_\_\_\_\_  
 COMMENTS: \_\_\_\_\_

**OUTPUT**  
Full Light Output

**CAPABILITY**  
Allows operation of switched fixtures from the generator or inverter supply.

**DESCRIPTION**

The IOTA **ETS-20** Emergency Lighting Control Device allows the use of auxiliary generator or inverter power on switched fixtures in power failure situations. The **ETS-20** senses the loss of normal AC power and bypasses local control devices such as switches, occupancy sensors, or timers, providing emergency power to the fixtures regardless of the control setting. The **ETS-20** allows for operation of the load at full light output until normal power is restored or for as long as the generator or inverter supply is available. The **ETS-20** will work in conjunction with any fixture on the designated 20 amp circuit per the rated specifications. Allowing for the use of switched fixtures with a generator or inverter supply eliminates the need for night lights and promotes increased energy savings. Dimming relay model (**ETS-20 DR**) available to accommodate dual-zone dimming.

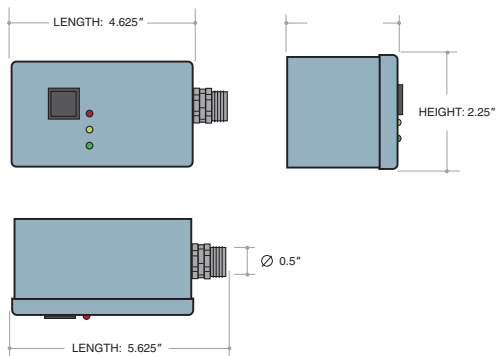
**SPECIFICATIONS**

Input Voltage .....	(Dual) 120/277V, 50/60Hz
Maximum Load Ratings:	
LED Driver.....	8A @ 120VAC, 50/60Hz per NEMA 410 8A @ 277VAC, 50/60Hz per NEMA 410
Ballast .....	20A @ 120/277VAC, 50/60Hz
Incandescent.....	10A @ 120VAC, 50/60Hz
Emergency Operation .....	The ETS-20 will operate in conjunction with any lighting load as noted in the specifications in the designated 20 amp circuit for the duration of the auxiliary supply
Operating Temp .....	-20° to 55° C (-4° to 131° F)
Weight .....	1.0 lb.
Approval .....	UL 924 Listed Damp Location Rated UL 2043 Plenum Rated



**DIMENSIONS**

4.625" x 2.25" x 2.25"



**PRODUCT ADVANTAGES**

- Allows operation of switched or dimmed fixtures on an auxiliary generator or inverter supply.
- Promotes energy savings by eliminating the need for multiple always-on fixtures
- Full light output

**FEATURES**

- UL 924 Listed
- LED indicators for determining functional readiness and operation modes.
- Galvanized steel housing
- Simplified junction box installation
- Meets or exceeds all NEC, IBC, and Life Safety Code Emergency Lighting Requirements
- Unit temperature withstand condition range of -20° to 55° C
- Suitable for use in plenum and damp location applications
- RoHS Compliant
- Optional jumper loop for connection to alarm, security panel, or other remote trigger device.
- Dual-Zone dimmer bypass model also available
- **5-Year Warranty.** See Warranty Page for details.



# ETS-20

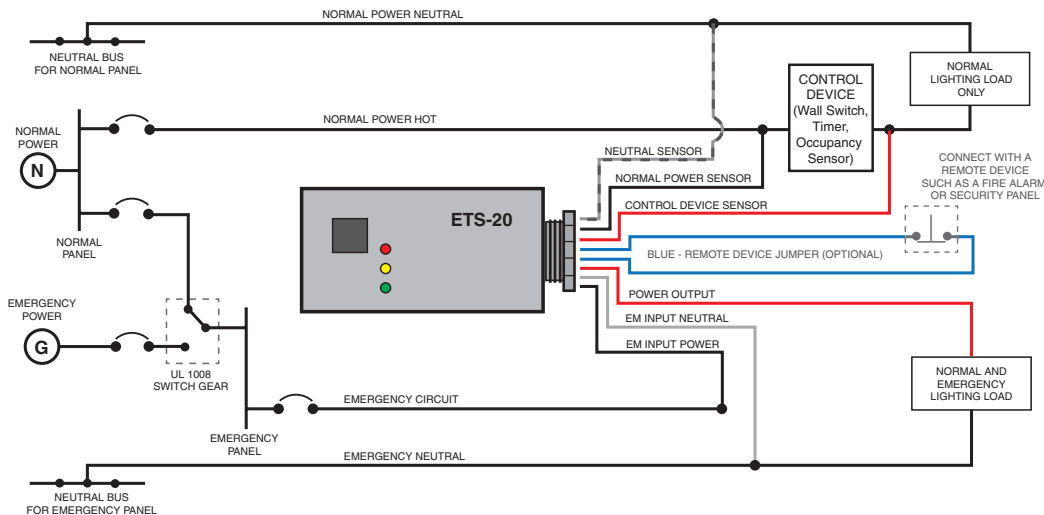
20-AMP EMERGENCY LIGHTING CONTROL DEVICE

## MODELS

- ETS-20 - 20-Amp Control Switch (1 dimming control zone)

## WIRING REFERENCE

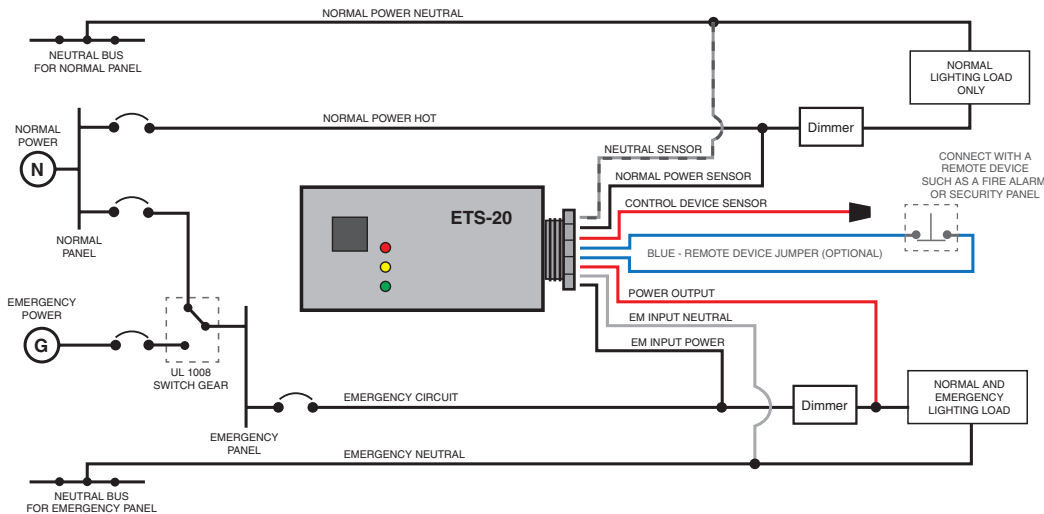
### ETS-20



### Typical Application

During presence of normal power, the ETS-20 senses the setting of the 'ON/OFF' control device through the red wire (Control Device Sensor) and operates the Normal/EM mode accordingly. When normal power is lost, the ETS-20 allows operation of the Normal/EM load at full output from the auxiliary supply, regardless of control device status.

### ETS-20 with dimmer controls



### Normal/EM Dimmer Control

The ETS-20 can be used with dimming applications by adding a second dimmer device to the designated EM circuit. In this scenario, both the EM circuit and ETS-20 power output are connected to the load. The red Control Device Sensor of the ETS-20 remains disconnected and there is no power output from the ETS-20 unless normal AC power is lost. If emergency power is activated, the ETS-20 will then route power around the dimmer on the EM circuit.