

QUALIFIED TO
NEMA 410
STANDARDS



DESCRIPTION

The IOTA **ETS** Emergency Lighting Control Device allows local switch control of designated emergency luminaires when emergency power is provided by a generator or inverter. The **ETS** senses the loss of normal AC power and **bypasses the local switch device** allowing emergency power directly to the fixture regardless of switch position. The **ETS** is rated for any lamp load up to **3 amps** continuous power including **LED loads per NEMA 410 standards**. The ETS is an ideal solution for achieving **increased energy savings** in accordance with most energy efficiency standards by eliminating the need to operate the designated emergency fixtures 24/7 when emergency power is sourced from a generator or inverter. Dimming ballasts require one ETS for each hot lead.

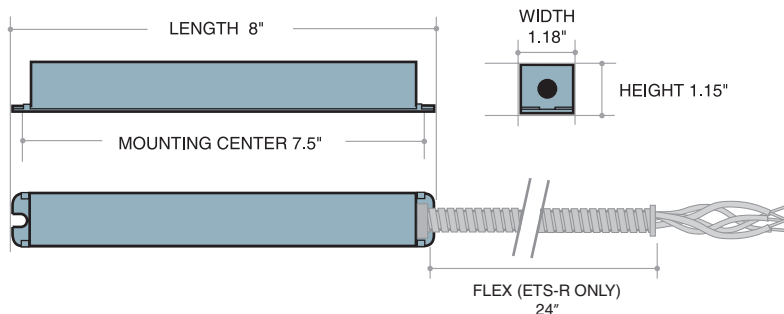
SPECIFICATIONS

Input Voltage	(Dual) 120/277V, 60Hz
Input Current	250 mA
Maximum Switching Voltage	3 Amps @ 120V 3 Amps @ 277V
Circuit Protection	3A on Control Input 3A on Neutral and 120/277V Outputs
Emergency Operation	The ETS allows operation of any lamp type in the designated fixture for the duration of the auxiliary supply
Initial Illumination	The ETS allows operation of the designated load at full light output
Operating Temp	0° to 50° C
Weight	1.0 lbs.
Approval	UL 924 Listed



DIMENSIONS

8.0" x 1.18" x 1.125" (mounting center 7.5")



MODEL NO: _____
 TYPE: _____
 PROJECT: _____
 COMMENTS: _____

OUTPUT

Full Light Output

LOADS OPERATED

Allows operation of any LED, fluorescent, or incandescent switched fixture from the generator or inverter supply up to 3 amps continuous.

PRODUCT ADVANTAGES

- **Regain local switch control of your designated emergency fixtures powered from a generator or inverter**
- **Promotes energy savings by eliminating the need for always-on fixtures**
- **Full light output**
- **Compatible with LED loads up to 3 amps continuous in accordance with NEMA 410**

FEATURES

- Shunts local switch devices in the emergency mode allowing for full lumen output
- Rated for LED loads up to 3 amps continuous per NEMA 410 standards
- Galvanized steel case
- Dual Voltage 120/277V 60hz
- Available in flex or non-flex configuration
- Rated for use in plenum fixtures
- Meets or exceeds all NEC, IBC, and Life Safety Code Emergency Lighting Requirements
- RoHS Compliant
- **5-Year Warranty.** See Warranty Page for details.



ETS

3-AMP EMERGENCY LIGHTING CONTROL DEVICE

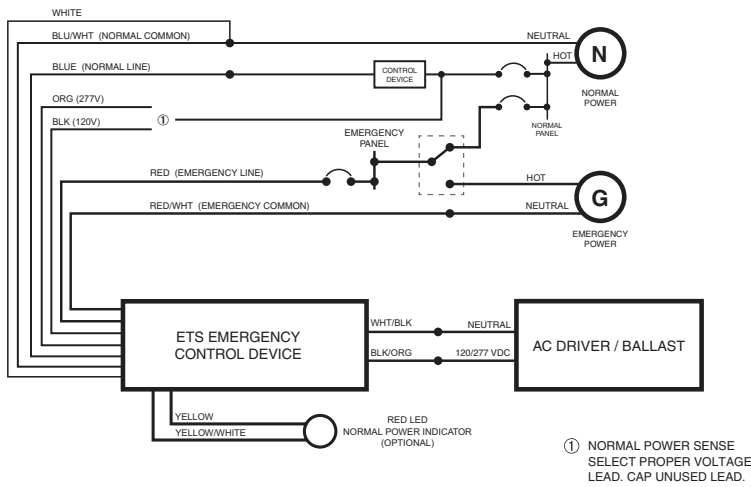
OPTIONS

CONFIGURATION

- ETS (NO FLEX)
- ETS-R (W/ 24" FLEX)

WIRING DIAGRAMS

TYPICAL BALLAST/GENERATOR APPLICATION



TYPICAL DIMMING BALLAST/GENERATOR APPLICATION

