

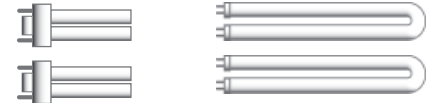


MODEL NO: _____
 TYPE: _____
 PROJECT: _____
 COMMENTS: _____

INITIAL LUMEN OUTPUT

1850 Lumens

LAMPS OPERATED*



(2) 13W-42W 4-pin Compact (2) 18W-50W Long Compact

*Refer to Lumen Reference Chart for list of compatible lamps

DESCRIPTION

The **I-462** from IOTA Engineering is a UL Listed fluorescent emergency ballast that allows the same fixture to be used for both normal and emergency operation. In the event of a power failure, the **I-462** switches to the emergency mode and operates **two** of the existing lamps **in parallel for 90 minutes**. The unit contains a battery, charger, and inverter circuit in a single can and is provided with 2 feet of 1/2" flex for wiring to the fixture. The unit is designed for installation next to or on top of the fixture. The **I-462** can be used with most **13W to 42W** 4-pin compact and **18W to 50W** long compact lamps with an initial output of up to **1850 lumens** for two lamps, and **utilizes AC output to ensure compatibility with new lamp technologies**. The **I-462** is compatible with **all** electronic or magnetic, series or parallel output, multi-lamp ballasts. The **I-462** is suitable for use in damp locations.

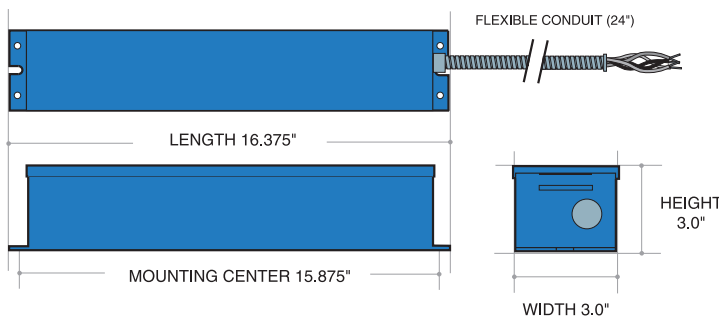
SPECIFICATIONS

Input Voltage	(Dual) 120/277V, 60Hz
Input Wattage	4.5 Watts
Lamps Operated	Most 13W-42W 4-pin compact fluorescent lamps and 18W-50W long compact fluorescent lamps
Emergency Operation	(2) 13W-42W 4-pin compact lamps (2) 18W-50W long compact fluorescent lamps
Initial Illumination	(2) lamps 1850 lumens 925 lumens each lamp
Operating Temp	0° to 50° C
Battery	24 Hour Recharge 7-10 Year Life Expectancy
Weight	9.75 lbs.
Approval	UL and CUL 924 Listed



DIMENSIONS

16.375" x 3.0" x 3.0" (mounting center 15.875")



PRODUCT ADVANTAGES

- **Parallel Lamp Operation**
- **High Lumen Output**
- **AC output for compatibility with Low-Mercury Content Amalgam lamps**
- **Time Delay feature for compatibility with End-of-Lamp-Life circuitry**
- **Open Circuit Isolation protects unit when load is absent**

FEATURES

- Will cold start and operate all specified lamps
- Long life high temperature recyclable Ni-Cad battery
- Painted steel case
- Includes test switch and charge indicator accessory kit
- For use with switched or unswitched fixtures
- **5-Year Warranty**. See Warranty Page for details.
- Suitable for use in damp locations
- Meets or exceeds all National Electrical Code and Life Safety Code Emergency Lighting Requirements
- International Voltage models available



I-462

PARALLEL OPERATION FLUORESCENT EMERGENCY BALLAST

OPTIONS

TEST KIT CONFIGURATION

- TWO-PIECE TEST SWITCH AND CHARGE INDICATOR

ACCESSORIES

- RTK - REMOTE TEST KIT (MAY BE REQUIRED FOR DOWNLIGHT OR OTHER APPLICATIONS)

VOLTAGE RATINGS

- 120/277V 60HZ (STANDARD)
- 220V 50HZ
- 240V 60HZ
- 120V 50HZ

INITIAL LUMEN RATINGS

LAMP	2 LAMPS
13W 4-Pin	1000
18W 4-Pin	1150
26W 4-Pin	1300
32W 4-Pin	1450
42W 4-Pin	1850
18W Long Compact	850
24W Long Compact	1200
25W Long Compact	1600
36W Long Compact	1500
40W Long Compact	1700
50W Long Compact	1700

REMOTE MOUNTING

When battery packs are remote mounted, consult Customer Service for the maximum allowable distance between the battery pack and lamp(s).

I-462 SAMPLE SPECIFICATION

Emergency lighting shall be provided by using a standard fluorescent fixture equipped with an **IOTA I-462** fluorescent emergency battery pack. The **I-462** shall consist of a high temperature, maintenance-free nickel cadmium battery, charger board and an electronic circuit enclosed in a 16.375" x 3.0" x 3.0" vandal-resistant painted steel case for installation either adjacent to or on top of the fixture. A long-life LED charge indicator light and test switch shall be included. The fluorescent EM pack shall operate **two** 13W-42W 4-pin compact fluorescent lamps, or **two** 18W-50W long compact fluorescent lamps in **PARALLEL OPERATION**. The **I-462** shall provide reduced illumination for a minimum of 90 minutes in the emergency mode with a total initial output of 1850 lumens and **will operate the lamps with AC output**. Should one lamp become inoperable, the remaining lamp shall operate at a minimum initial output of 1000 lumens. The **I-462** shall have 4.5 watts of input power and a battery capacity of 48 watt hours. The **I-462** is UL Listed and meets or exceeds all NEC and Life Safety Code Emergency Lighting Requirements, and rated for use in damp locations. The **I-462** is warranted for a full five (5) years from the date of purchase.

PARALLEL LAMP SAMPLE SPECIFICATION

Emergency lighting shall be provided by using a standard fluorescent fixture equipped with a fluorescent emergency battery pack. The EM pack shall consist of a high temperature, maintenance-free nickel cadmium battery, charger board and an electronic circuit enclosed in a painted steel case for installation either adjacent to or on top of the fixture. A long-life LED charge indicator light and test switch shall be included. The fluorescent EM pack shall operate **two** 13W-42W 4-pin compact fluorescent lamps, **two** 18W-50W long compact fluorescent lamps in **PARALLEL OPERATION**. The EM pack shall provide reduced illumination for a minimum of 90 minutes in the emergency mode with a total initial output of 1850 lumens and **will operate the lamps with AC output**. Should one lamp become inoperable, the remaining lamp shall operate at a minimum initial output of 1000 lumens. The unit shall have 4.5 watts of input power and a battery capacity of 48 watt hours. The EM pack must be UL Listed and meet or exceed all NEC and Life Safety Code Emergency Lighting Requirements, and rated for use in damp locations. All product shall be warranted for a full five (5) years from the date of purchase.