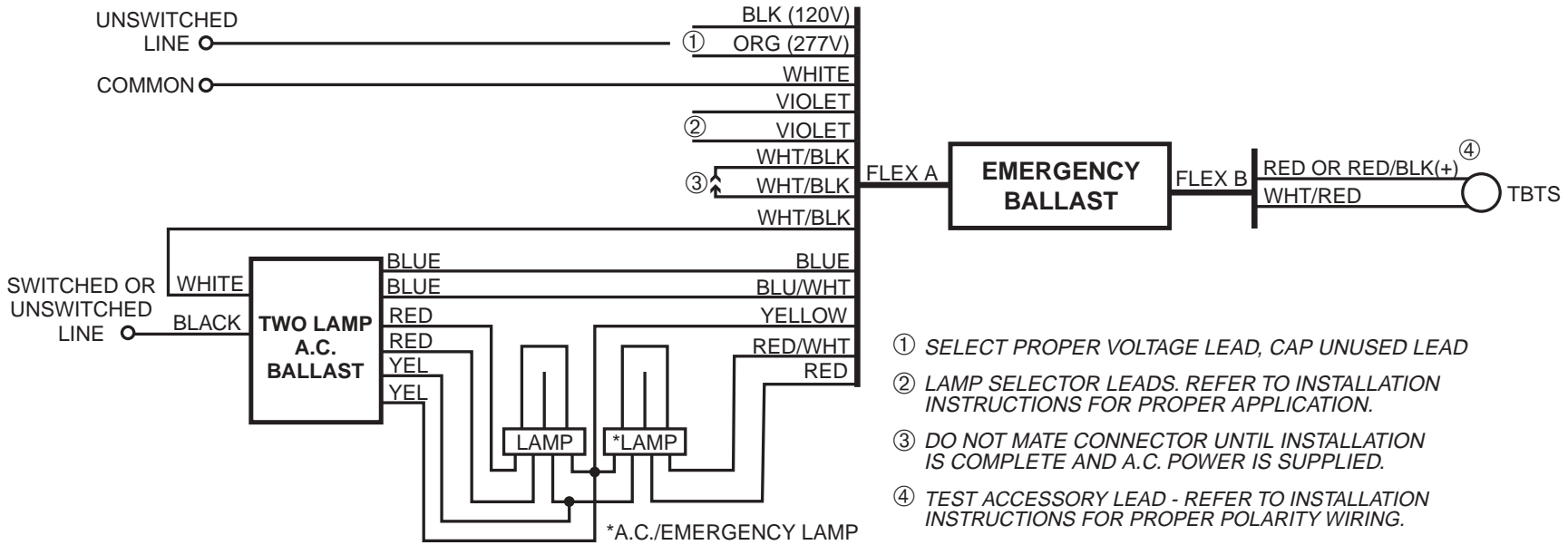


TWO LAMP RAPID START BALLAST WITH ONE LAMP EMERGENCY OPERATION



- ① SELECT PROPER VOLTAGE LEAD, CAP UNUSED LEAD
- ② LAMP SELECTOR LEADS. REFER TO INSTALLATION INSTRUCTIONS FOR PROPER APPLICATION.
- ③ DO NOT MATE CONNECTOR UNTIL INSTALLATION IS COMPLETE AND A.C. POWER IS SUPPLIED.
- ④ TEST ACCESSORY LEAD - REFER TO INSTALLATION INSTRUCTIONS FOR PROPER POLARITY WIRING.

ALL COMPATIBLE BALLASTS MAY NOT BE LISTED.
 *DIMMING CONTROL WIRES ARE NOT AFFECTED BY EM PACK

ADVANCE
REL/VEL-2013-RH-TP
REL/VEL-2018-RH-TP
REL/VEL-2026-RH-TP
EBT
SSB6-120/277-2/13 LH
SSB6-120/277-2/18 LH
SSB6-120/277-2/26 LH
MOTOROLA
M2-CF-13-S-120/277
M2-CF-18-S-120/277
M2-CF-26-S-120/277