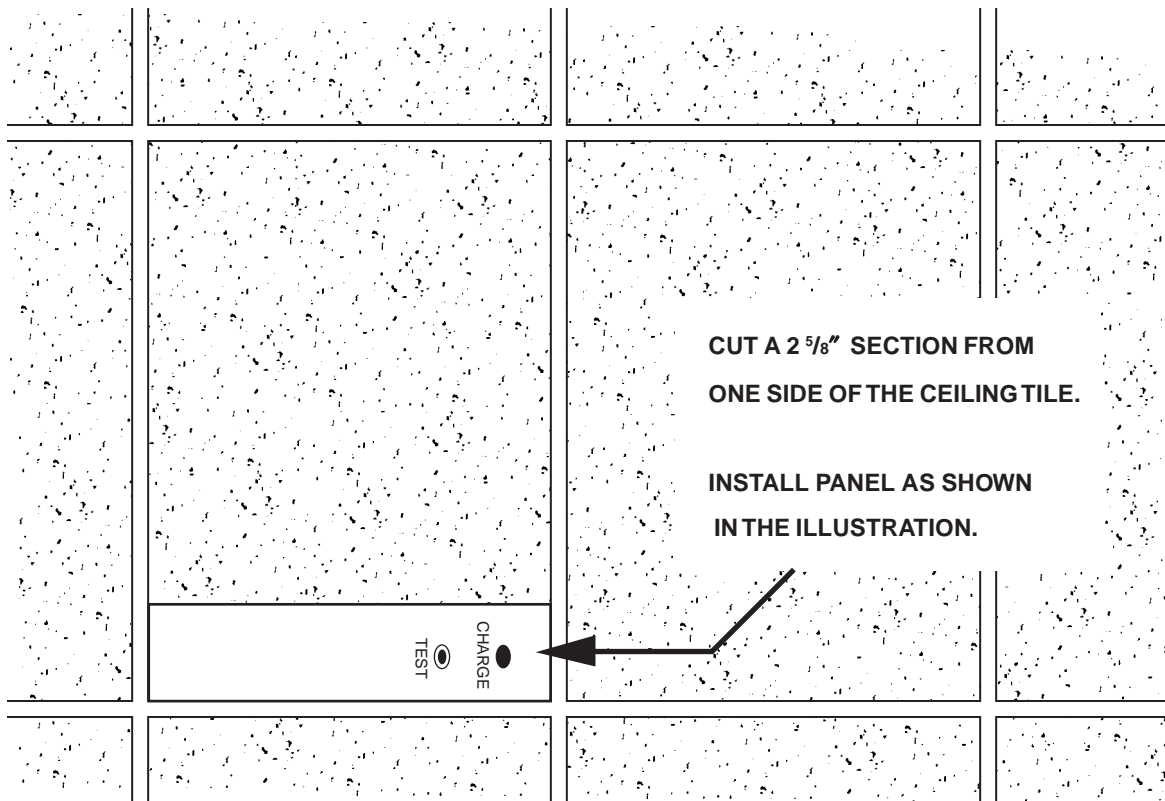
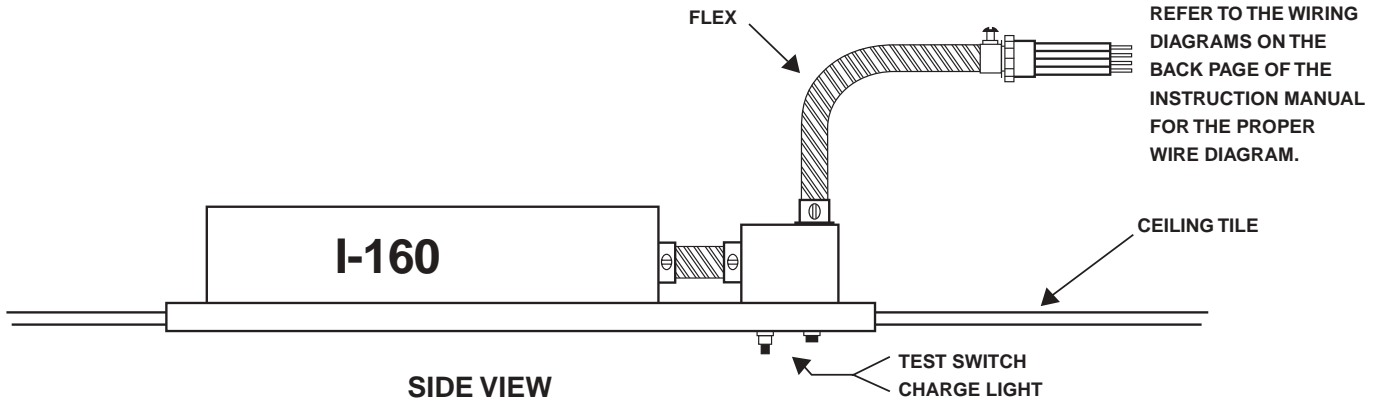
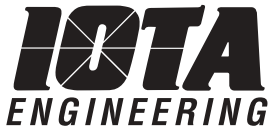


I-160 CEILING MOUNT

INSTALLATION INSTRUCTIONS



BOTTOM VIEW



P.O. BOX 11846 TUCSON, AZ 85734 • 1301 E. WIEDING ROAD TUCSON, AZ 85706
(520) 294-3292 • FAX (520) 741-2837
www.iotaengineering.com

Rev. 031302
68160-102

I-160R Insert