



MODEL NO: \_\_\_\_\_  
 TYPE: \_\_\_\_\_  
 PROJECT: \_\_\_\_\_  
 COMMENTS: \_\_\_\_\_

**LED OPERATION:**

20 Watt LED Load  
 @ 23 - 32 VDC nominal

**OUTPUT:**

Up to 20W

**PRODUCT ADVANTAGES**

- **Designed for outdoor paths of egress and freezing environments**
- **Heating Blanket and Temperature Control protects the battery from freezing conditions**

**FEATURES**

- UL Recognized Component
- Long life high temperature recyclable Ni-Cad batteries
- Galvanized steel case
- Includes test switch and charge indicator accessory kit
- Two battery configuration options available for meeting individual installation requirements.
- Suitable for use in damp locations and in enclosed and gasketed fixtures
- For use with switched or unswitched fixtures
- **5-Year Warranty.** See Warranty Page for details.
- Meets or exceeds all National Electrical Code and Life Safety Code Emergency Lighting Requirements
- RoHS Compliant

**DESCRIPTION**

The **ILB-3020-CW 600mA** from IOTA Engineering is a UL Recognized LED emergency battery pack that allows the same LED fixture to be used for both normal and emergency operation. In the event of a power failure, the **ILB-3020-CW 600mA** switches to the emergency mode and operates the existing fixture for **90 minutes**. The unit includes one 16-cell or two 8-cell long life high temperature Ni-Cad battery packs, and a single can containing a charger and converter circuit for wiring to the fixture and test accessories. A heating element and temperature control circuitry protect the battery pack from freezing during normal AC operation and allows the battery pack to reach acceptable operating temperatures before reactivating the charging circuit. The **ILB-3020-CW 600mA** is for use with an LED load up to **20W** at a rated current of **600mA**.

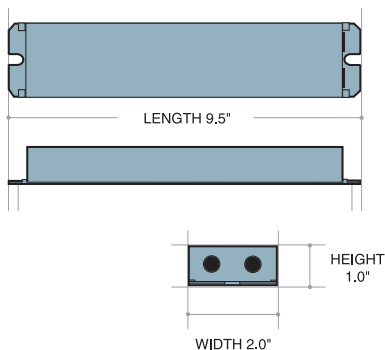
**SPECIFICATIONS**

Input Voltage .....	(Dual) 120/277 VAC, 60Hz
Input Rating .....	5.5 Watts
Input Rating with Heating Element On .....	86 Watts
Output Voltage .....	23VDC - 32VDC
Output Current .....	600 mA (constant)
Output Power .....	Up to 20W max.
Emergency Operation .....	90 minutes
Operating Temp .....	-20° to 50° C
Battery .....	Nickel-Cadmium 24 Hour Recharge 7-10 Year Life Expectancy
Weight .....	4.5 lbs.
UL Conditions of Acceptability .....	Must be factory wired Battery temperature must not exceed 50° C

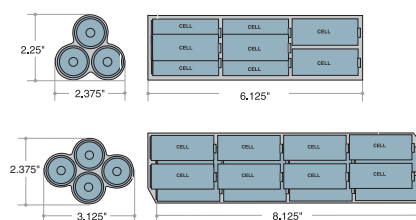


**DIMENSIONS**

**UNIT DIMENSIONS**



**BATTERY CONFIGURATIONS**



For cold-weather battery packs, add approximately 1/8" to the battery width and height to accommodate the heating blanket.



# ILB-3020-CW 600mA

LED EMERGENCY BATTERY PACK

## OPTIONS

### TEST KIT CONFIGURATION

- TBTS
- TWO-PIECE TEST SWITCH AND CHARGE INDICATOR

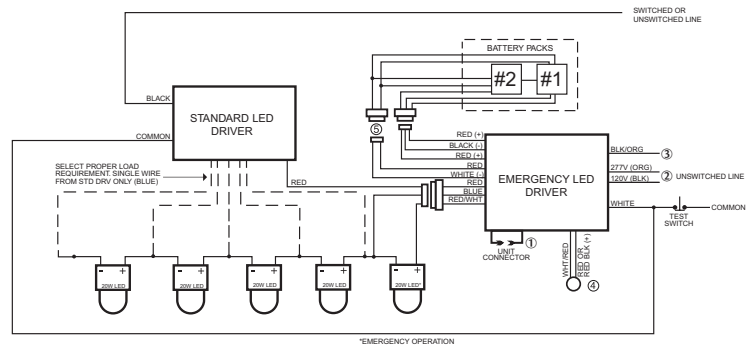
### BATTERY CONFIGURATIONS

- D** - DUAL BATTERY PACKS (TWO 8-CELL)
- S** - SINGLE BATTERY PACK (ONE 16-CELL)

## ILB-3020-CW 600mA SAMPLE SPECIFICATION

Emergency lighting shall be provided by using a standard LED fixture equipped with an **ILB-3020-CW 600mA** LED emergency battery pack. The **ILB-3020-CW 600mA** shall consist of (1) or (2) high temperature, maintenance-free nickel cadmium battery packs, and a 9.5" x 2.0" x 1.0" vandal-resistant galvanized steel case containing a charger board and an electronic circuit. The unit is designed for installation within the fixture or ballast compartment. A test switch and charge indicator accessory kit shall be included. The LED emergency battery pack shall operate an LED load of up to 20W at a rated current output of 600mA for a minimum of 90 minutes in the emergency mode. The **ILB-3020-CW 600mA** shall have 5.5 watts of input power and a battery capacity of 24 watt hours. The **ILB-3020-CW 600mA** is a UL Recognized Component and meets or exceeds all NEC and Life Safety Code Emergency Lighting Requirements. The **ILB-3020-CW 600mA** is warranted for a full five (5) years from the date of purchase.

## ILB-3020-CW 600mA SAMPLE WIRING DIAGRAM



- ① DO NOT MATE CONNECTOR UNTIL INSTALLATION IS COMPLETE AND AC POWER IS SUPPLIED.
- ② SELECT PROPER VOLTAGE LEAD, CAP UNUSED LEAD.
- ③ BLK/ORG LEAD FOR COLD-WEATHER UNIT ONLY. FOR NON-COLD WEATHER UNITS, CAP BLK/ORG LEAD. FOR COLD-WEATHER UNIT 120V INSTALLATION, CONNECT BLK/ORG TO BLK. FOR COLD-WEATHER UNIT 277V INSTALLATION, CAP BLK/ORG AND BLK SEPARATELY.
- ④ TEST ACCESSORY LEADS-OBSERVE PROPER POLARITY WIRING.
- ⑤ OPTIONAL CONNECTOR FOR COLD-WEATHER HEATING BLANKET ONLY FOR NON-COLD-WEATHER UNITS, LEAVE DISCONNECTED.