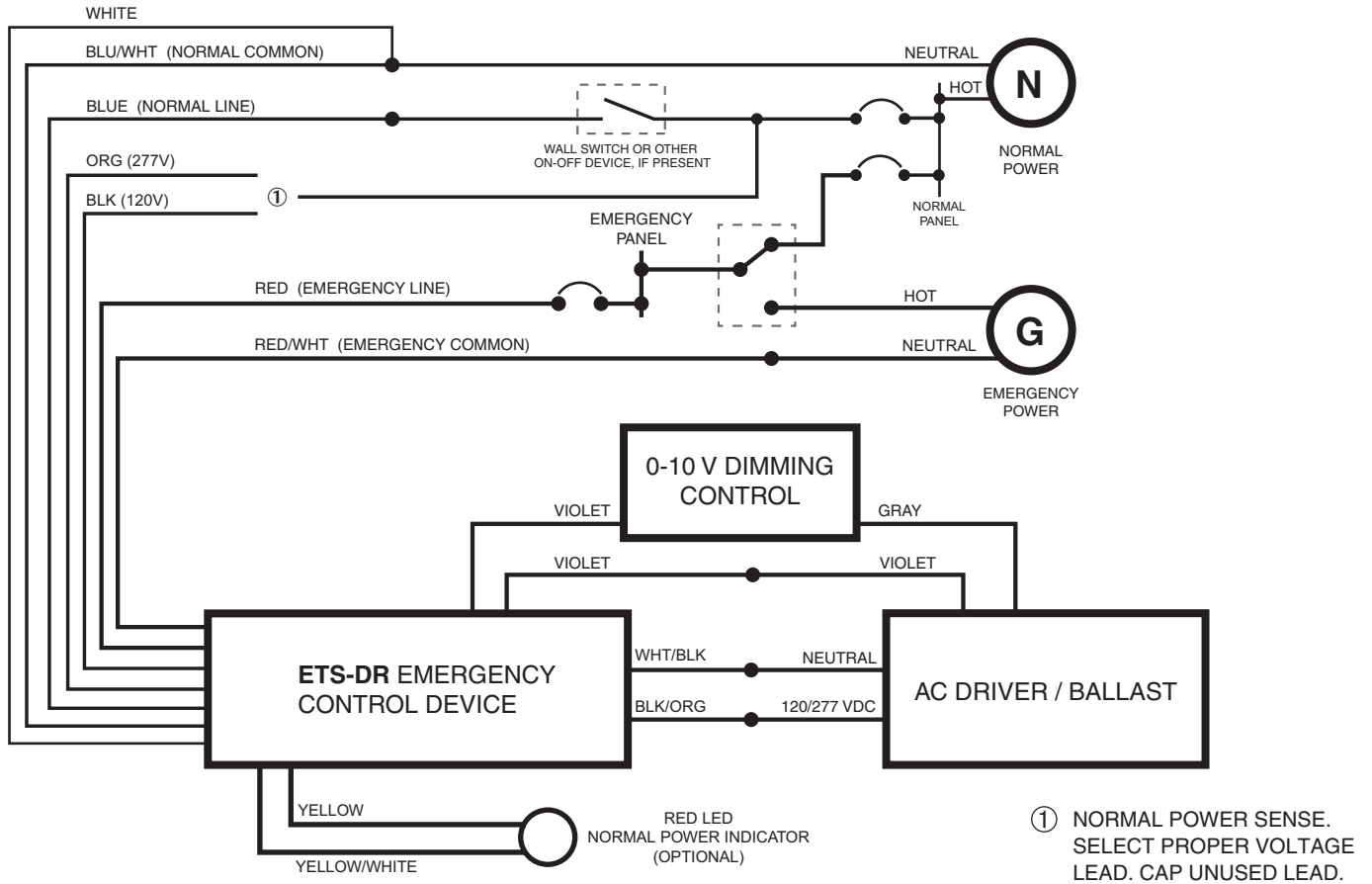


TYPICAL GENERATOR APPLICATION WITH 0-10V DIMMING CONTROL



ETS_DR
REV 062117

NOTES

Wiring and Troubleshooting Tips are available on-line at <http://www.iotaengineering.com/wiringtips.pdf>

