



DUAL | ZONE
DIMMING CONTROL



MODEL NO: _____
TYPE: _____
PROJECT: _____
COMMENTS: _____

OUTPUT
Full Light Output

CAPABILITY

Allows operation of switched fixtures in dual dimming zones from the generator or inverter supply.

PRODUCT ADVANTAGES

- Allows operation of switched or dimmed fixtures on an auxiliary generator or inverter supply.
- Promotes energy savings by eliminating the need for multiple always-on fixtures
- Full light output
- Dimming Relay leads allows for dual zone dimming controls

FEATURES

- UL 924 Listed
- LED indicators for determining functional readiness and operation modes.
- Galvanized steel housing
- Simplified junction box installation
- Meets or exceeds all NEC, IBC, and Life Safety Code Emergency Lighting Requirements
- Unit temperature withstand condition range of -20° to 55° C
- Suitable for use in plenum and damp location applications
- RoHS Compliant
- Optional jumper loop for connection to alarm, security panel, or other remote trigger device.
- **5-Year Warranty.** See Warranty Page for details.

DESCRIPTION

The IOTA **ETS-20-DR** Emergency Lighting Control Device allows the use of auxiliary generator or inverter power on switched fixtures in power failure situations. The **ETS-20-DR** senses the loss of normal AC power and bypasses local control devices such as switches or dimmers, providing emergency power to the fixtures regardless of the control setting. The **ETS-20-DR** allows for operation of the load at full light output until normal power is restored or for as long as the generator or inverter supply is available. The **ETS-20-DR** will work in conjunction with any fixture on the designated 20 amp circuit per the rated specifications. Allowing for the use of switched fixtures with a generator or inverter supply eliminates the need for night lights and promotes increased energy savings. The dimming relay leads accommodate two 0-10 volt dimming zone controls, providing full light output in both zones during emergency mode regardless of dimmer setting.

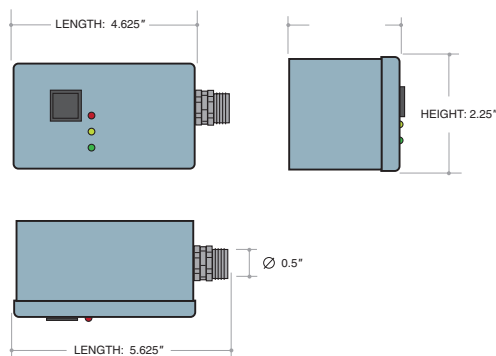
SPECIFICATIONS

Input Voltage	(Dual) 120/277V, 50/60Hz
Maximum Load Ratings:	
LED Driver.....	8A @ 120VAC, 50/60Hz per NEMA 410 8A @ 277VAC, 50/60Hz per NEMA 410
Ballast	20A @ 120/277VAC, 50/60Hz
Incandescent.....	10A @ 120VAC, 50/60Hz
Emergency Operation	The ETS-20-DR will operate in conjunction with any lighting load as noted in the specifications in the designated 20 amp circuit for the duration of the auxiliary supply
Contact Rating	1A @ 30VDC 1A @ 277VAC
Operating Temp	-20° to 55° C (-4° to 131° F)
Weight	1.0 lb.
Approval	UL 924 Listed Damp Location Rated UL 2043 Plenum Rated



DIMENSIONS

4.625" x 2.25" x 2.25"



ETS-20-DR

20-AMP EMERGENCY LIGHTING CONTROL DEVICE

MODELS

- ETS-20-DR - 20-Amp Control Switch (dual dimming control zones)

WIRING REFERENCE

ETS-20-DR with Dual Zone Dimming Control

The ETS-20-DR provides two sets of dimming relays for use with Dual Zone dimming (such as an auditorium that would demand full brightness on a platform and a dimmed zone over the audience). The ETS-20-DR allows for two-wire dimming of zones that would be comprised of both normal and EM fixtures. In the event of a power loss, any dimmed emergency fixtures in either zone will switch to the emergency supply and come on at full brightness.

